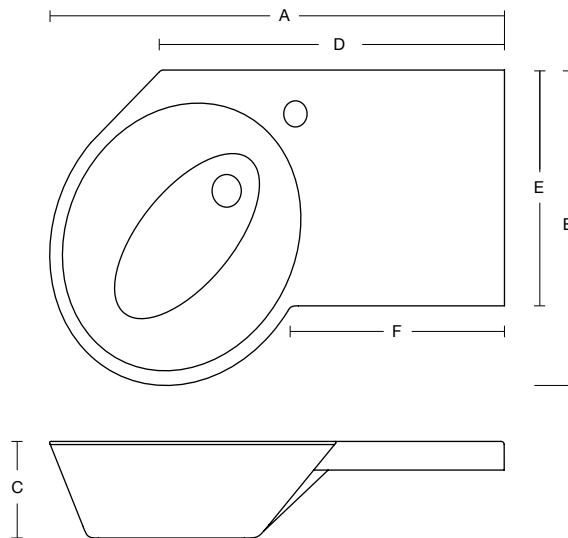


MAUDAL BASIN MINERAL CAST BASIN



Maudal						
Description	A	B	C	D	E	F
Maudal L/H	750	480	135	540	330	325
Maudal R/H	750	480	135	540	330	325

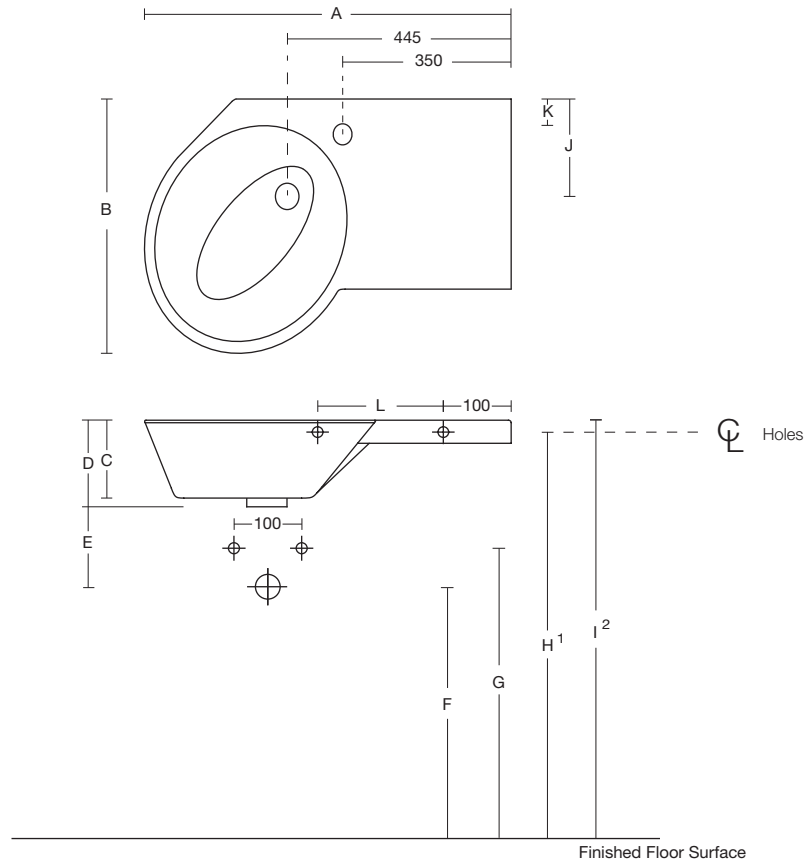


Standard Tap Size	35 mm
Standard Waste Size	32 mm
Basin Depth	120 mm
Depth to Overflow	N/A

All dimensions are in millimetres nominal. 06/12

MAUDAL BASIN (LEFT & RIGHT MODELS)

- **Please note:** When installing a wall hung St Michel basin, determine the bench top height of the cabinet (i.e. Dimension 'I') before positioning wall nog and calculating plumbing connections.



Description	A	B	C	D	E	F	G	H	I	J	K	L	Bowl Size		
													Width	Depth	Height
Maudal L/H	750	480	135	150	110	610	690	820	870	175	55	280	355	430	110
Maudal R/H	750	480	135	150	110	610	690	820	870	175	55	280	355	430	110

Standard Supply		<p>1 Ensure nog is oversized to cope with variations in fixing hole spacing. As hole positions vary top to top due to production limitations it will be necessary to place the basin in position and mark through the holes in the top.</p> <p>2 If you increase or decrease height of vessel basin (i.e. dimension I) then F, G, H dimensions must be amended accordingly.</p> <p>NOTE: Waste outlet positioned for standard chrome bottletrap and pop-up basin waste.</p>
Tap Hole	1	
Colour	White	
Integral Overflow	Yes	

All dimensions are in millimetres nominal. St Michel Industries Ltd has the right to change product and specifications without notice. 11/12