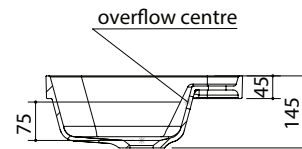
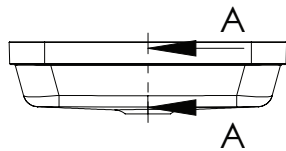
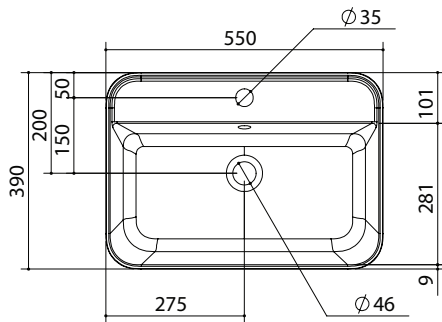


BASIN SPECIFICATIONS

Product Name Star
Product Description Cherry Pie Matte Inset Basin
Nominal Size 550w x 390d x 143h



SECTION A-A

Bowl Water Volume: 6L to overflow
Overflow: Overflow provided. Designed for maximum tap flow rate of 15 litres/minute
Fixing: The basin must be sealed to the top with an acetic cured silicone sealant. Epoxy type sealants must not be used
Colour: White matte only
Dimensions: All measurements are in millimetres and are +/- 2mm

St Michel pursues a policy of continuing improvement in design and manufacturing of its products. The right is therefore reserved to vary specifications without notice | Revised 06/2018