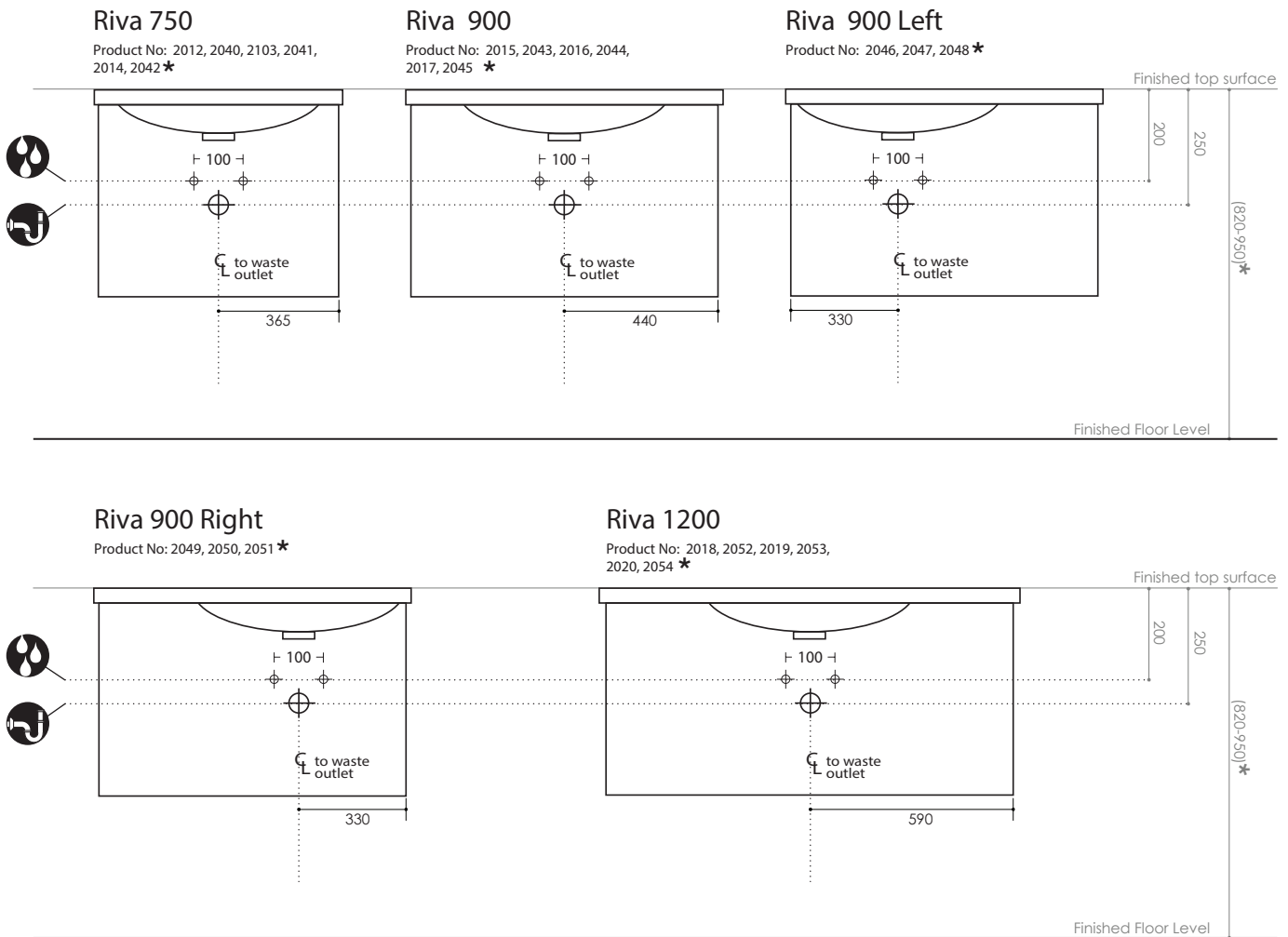
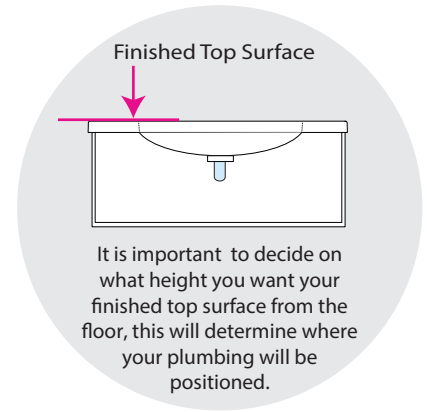


PLUMBING POSITIONS

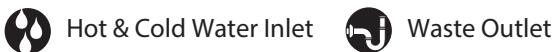
Vanity Range Riva Basin Rubik - Ceramic Palo - Permashield

- We suggest that you install your Wall hung vanity between 820-950mm high to the finished top surface. Floor mounted vanities have set heights
- For internal division positions - please refer to cabinet specifications
- Note: Waste outlet positioned for standard chrome bottletrap and pop up basin waste.
- Illustrations are representations and not to scale



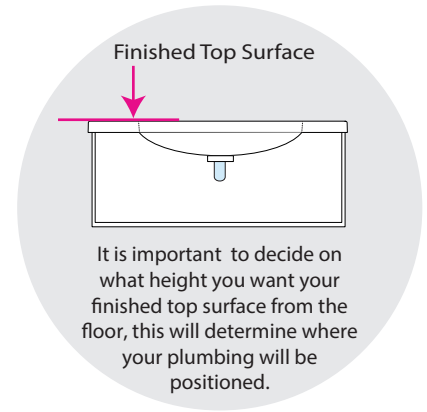
*** Floor mounted vanities will have a finished top surface height of :**
Palo Top: 825mm Rubik Top: 820mm

Floor mounted vanites can also be plumbed through the floor



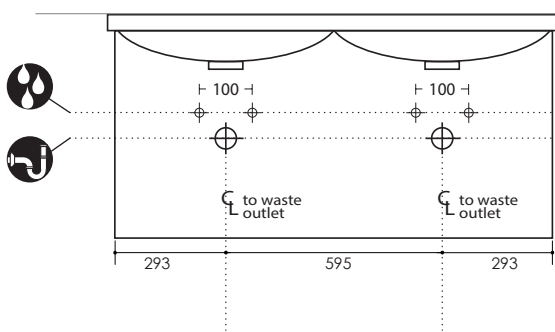
Vanity Range Riva Basin Rubik - Ceramic Palo - Permashield

- We suggest that you install your Wall hung vanity between 820-950mm high to the finished top surface. Floor mounted vanities have set heights
- For internal division positions - please refer to cabinet specifications
- Note: Waste outlet positioned for standard chrome bottletrap and pop up basin waste.
- Illustrations are representations and not to scale



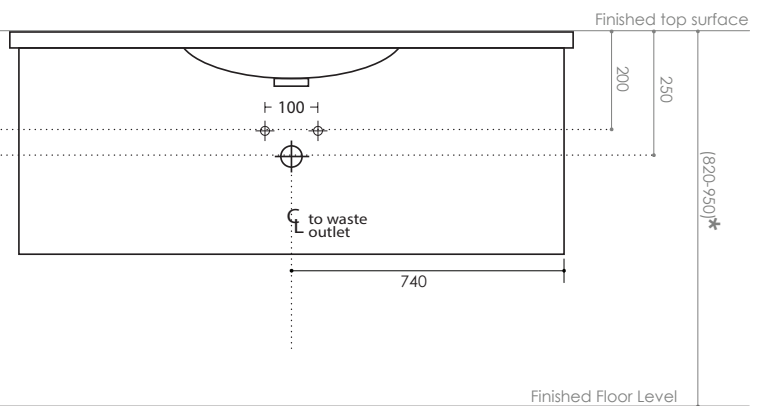
Riva 1200DB

Product No: 2055, 2056, 2057 *



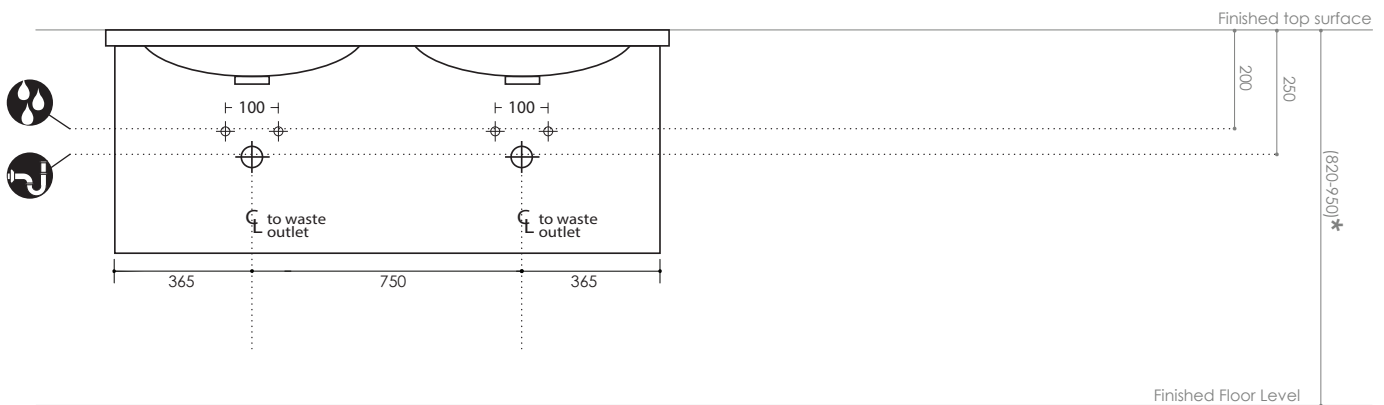
Riva 1500

Product No: 2080, 2081, 2082 *



Riva 1500DB

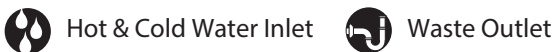
Product No: 2083, 2084, 2085 *



*** Floor mounted vanities will have a finished top surface height of :**

Palo Top: 825mm Rubik Top: 820mm

Floor mounted vanites can also be plumbed through the floor



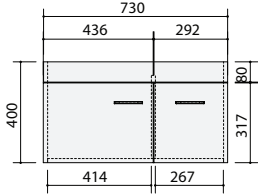
CABINET SPECIFICATIONS

Vanity Range: Riva

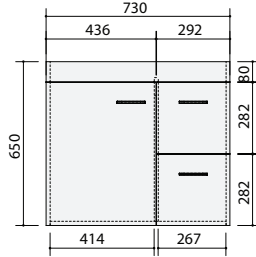
Basin: Palo & Rubik

Drawings depict cabinet only. Dotted lines indicate internal cabinet parts.
Gaps inbetween doors and drawers are 2mm. All measurements are in millimetres and are +/- 2mm.

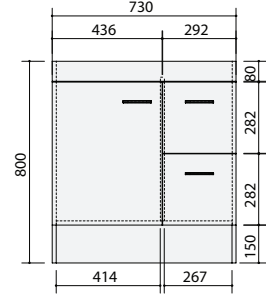
Riva 750 Wall - 1 Door, 1 Drawer



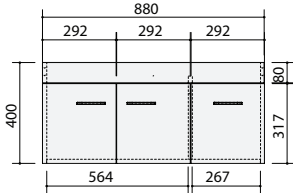
Riva 750 Wall - 1 Door, 2 Drawer



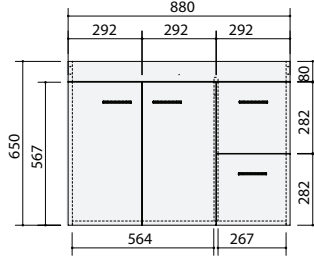
Riva 750 Floor - 1 Door, 2 Drawer



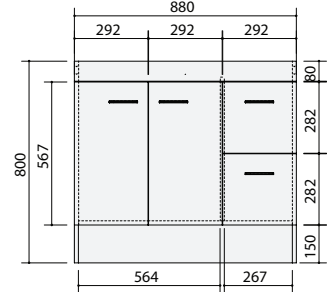
Riva 900 Wall - 2 Door, 1 Drawer
Riva 900 Wall Left - 2 Door, 1 Drawer



Riva 900 Wall - 2 Door, 2 Drawer
Riva 900 Wall Left - 2 Door, 2 Drawer



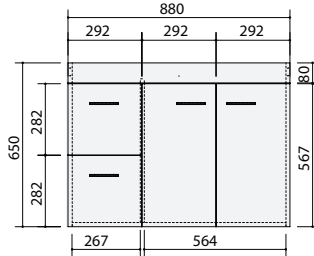
Riva 900 Floor - 2 Door, 2 Drawer
Riva 900 Floor Left - 2 Door, 2 Drawer



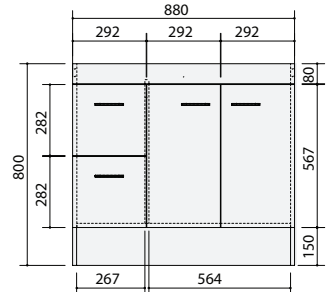
Riva 900 Wall Right - 2 Door, 1 Drawer



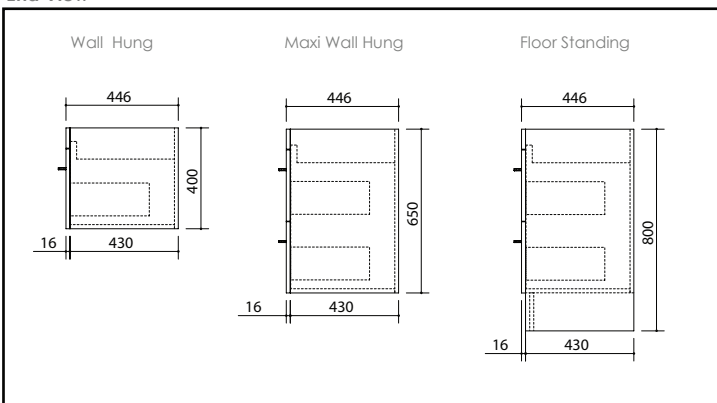
Riva 900 Wall Right - 2 Door, 2 Drawer



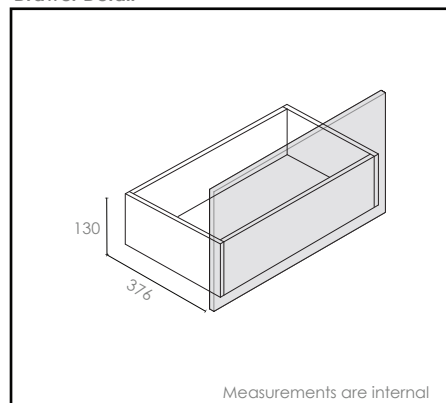
Riva 900 Floor Right - 2 Door, 2 Drawer



End View



Drawer Detail



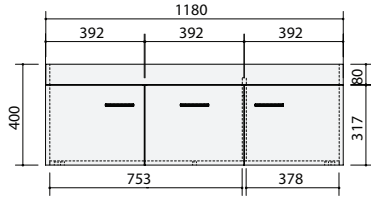
CABINET SPECIFICATIONS

Vanity Range: Riva

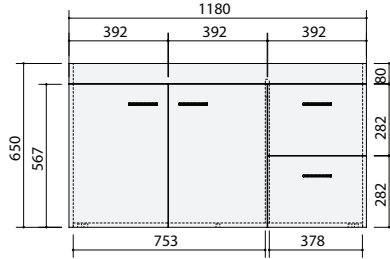
Basin: Palo & Rubik

Drawings depict cabinet only. Dotted lines indicate internal cabinet parts.
Gaps inbetween doors and drawers are 2mm. All measurements are in millimetres and are +/- 2mm.

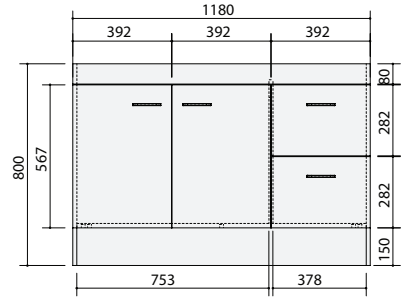
Riva 1200 Wall - 2 Door, 1 Drawer



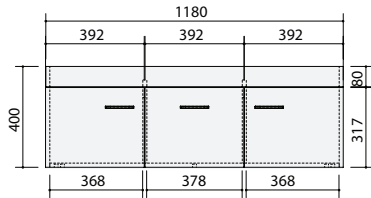
Riva 1200 Wall - 2 Door, 2 Drawer



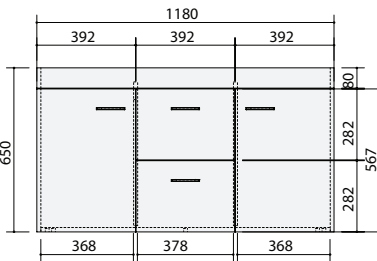
Riva 1200 Floor - 2 Door, 2 Drawer



Riva 1200DB Wall - 2 Door, 1 Drawer



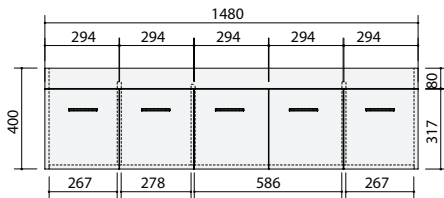
Riva 1200DB Wall - 2 Door, 2 Drawer



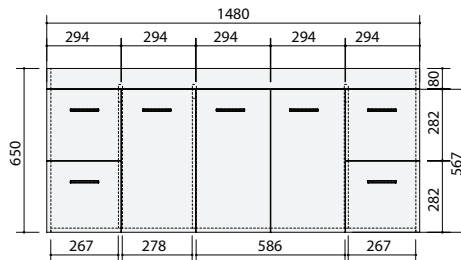
Riva 1200DB Floor - 2 Door, 2 Drawer



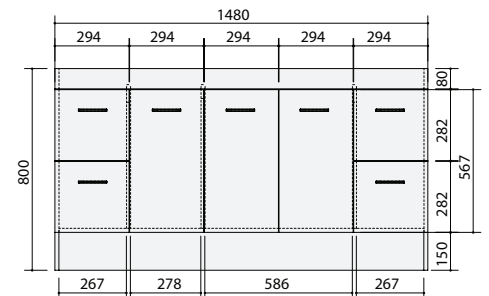
Riva 1500 Wall - 3 Door, 2 Drawer
Riva 1500DB Wall - 3 Door, 2 Drawer



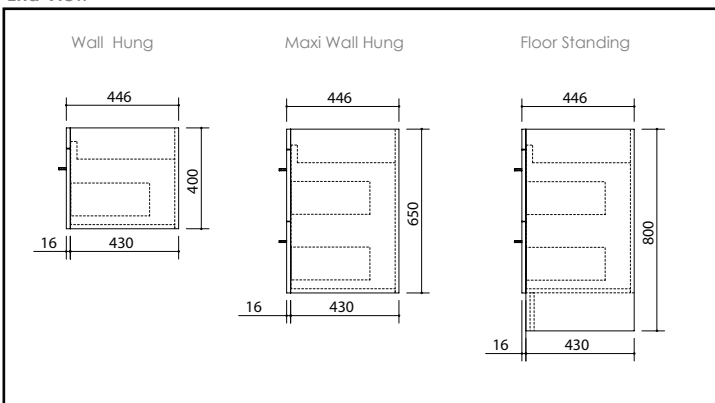
Riva 1500 Wall - 3 Door, 4 Drawer
Riva 1500DB Wall - 3 Door, 4 Drawer



Riva 1500 Floor - 3 Door, 4 Drawer
Riva 1500DB Floor - 3 Door, 4 Drawer



End View



Drawer Detail

