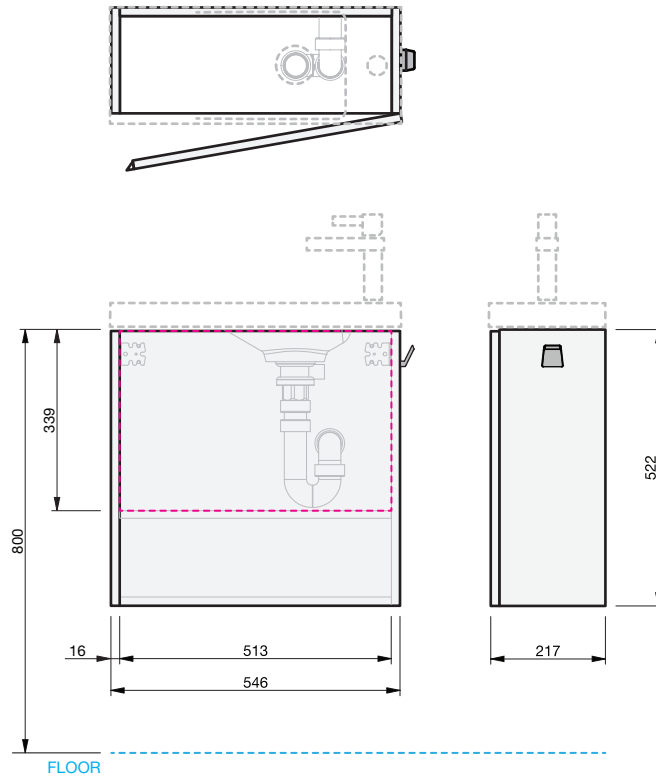
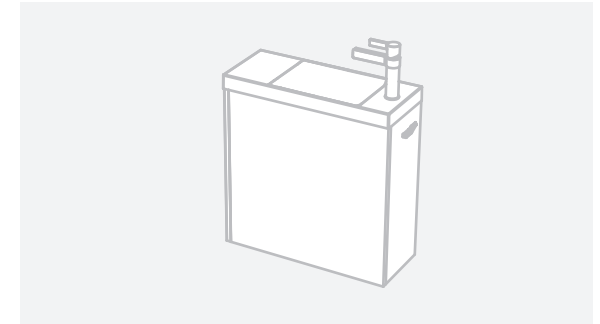


CABINET SPECIFICATION

Mini B - 550 - Wall - RH - 1 Door Maxi Store



Basin range (refer to applicable basin specification)



PENELOPE JOY

- Drawings depict cabinet only
- It is important to decide on what height you want your finished top surface from the floor, this will determine where your plumbing will be positioned.
- We suggest that you install your wall hung vanity between 830-950mm high to the finished top surface.
- Plumbing positions are for a standard trap and pop-up basin waste.
- Cabinet shelves are at fixed locations.



30 YEARS



AQUAEDGE



SOFT
CLOSE

INDICATES PLUMBING -----

INDICATES FLOOR SURFACE -----

IMPORTANT NOTE: Throughout this guide, dimensions may vary by ± 2 mm. Please read the installation manual for detailed information on installing the product. St. Michel pursues a policy of continuing improvement in design and manufacturing of its products. The right is therefore reserved to vary specifications without notice. For full installation instructions visit stmichel.co.nz.

Date edited:

4/10/19

01/01