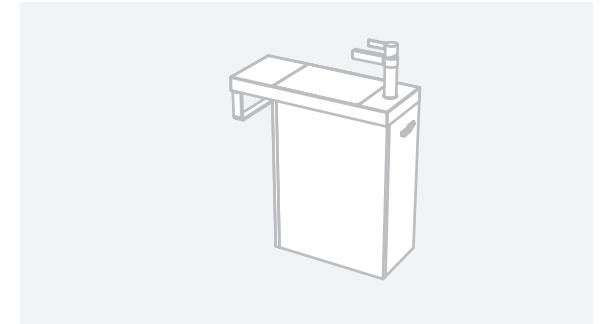
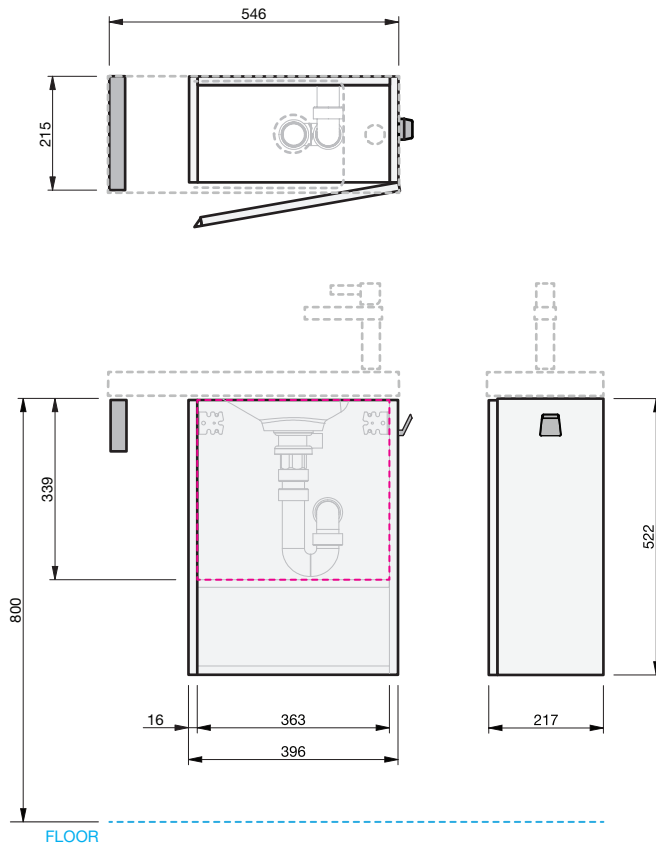


CABINET SPECIFICATION  
Mini B - 550 - Wall - RH - 1 Door



**Basin range** (refer to applicable basin specification)



**PENELOPE** **JOY**

- Drawings depict cabinet only
- It is important to decide on what height you want your finished top surface from the floor, this will determine where your plumbing will be positioned.
- We suggest that you install your wall hung vanity between 830-950mm high to the finished top surface.
- Plumbing positions are for a standard trap and pop-up basin waste.
- Cabinet shelves are at fixed locations.



30 YEARS



AQUAEDGE



SOFT  
CLOSE

INDICATES PLUMBING -----

INDICATES FLOOR SURFACE -----

IMPORTANT NOTE: Throughout this guide, dimensions may vary by  $\pm 2$ mm. Please read the installation manual for detailed information on installing the product. St. Michel pursues a policy of continuing improvement in design and manufacturing of its products. The right is therefore reserved to vary specifications without notice. For full installation instructions visit [stmichel.co.nz](http://stmichel.co.nz).