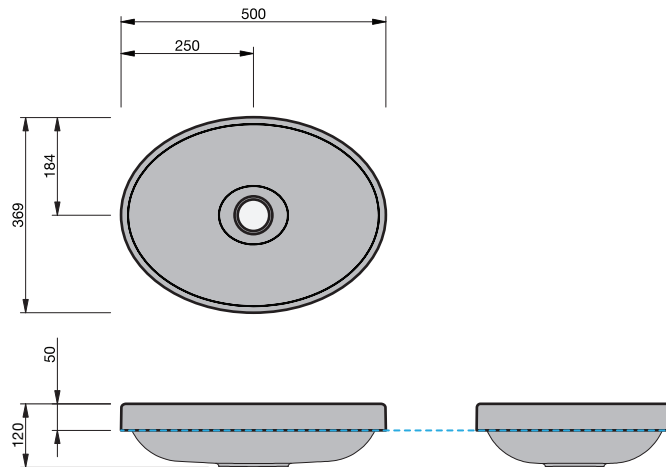
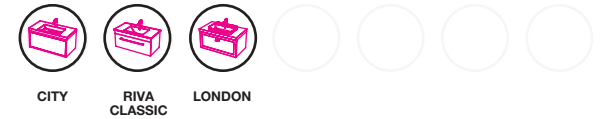


BASIN SPECIFICATION

Dignity



Cabinet range (refer to applicable cabinet data sheet)



CITY

RIVA  
CLASSIC

LONDON

Product Features

Type of basin	Inset
Material of basin	Cherry Pie®
Capacity of basin	8 litre
Overflow Configuration	No overflow provided
Colour options	White Matte

- The basin must be sealed to the top with an acetic cured silicone sealant.
- Epoxy type sealants must not be used.

INDICATES TOP SURFACE -----

IMPORTANT NOTE: Throughout this guide, dimensions may vary by  $\pm 2$ mm. Please read the installation manual for detailed information on installing the product. St. Michel pursues a policy of continuing improvement in design and manufacturing of its products. The right is therefore reserved to vary specifications without notice. For full installation instructions visit [stmichel.co.nz](http://stmichel.co.nz).

Date edited:

18 / 10 / 2019

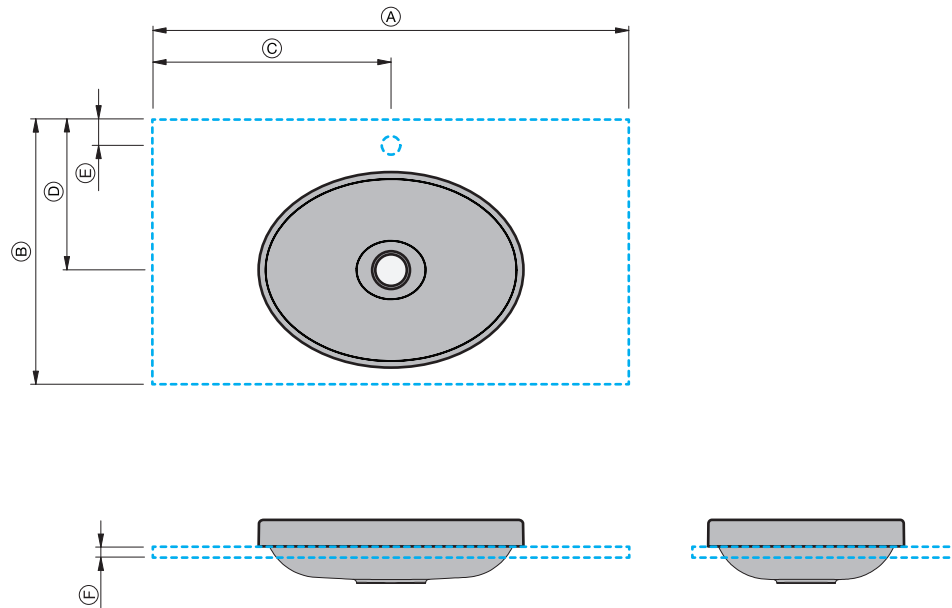
**TOP SPECIFICATION**  
**Dignity**

**Cabinet range** (refer to applicable cabinet data sheet)



**CITY**      **RIVA CLASSIC**      **LONDON**

<b>Top Thickness (mm)</b>	ⓕ	Cherry Pie		
City		20.5		



- The top must be sealed to the vanity unit with an acetic cured silicone sealant. Epoxy type sealants must not be used
- Tops can be drilled on site with a standard hole saw
- For wall mounted taps we recommend using a 200mm wall mixer

<b>Product Dimensions (mm)</b>	Ⓐ	Ⓑ	Ⓒ	Ⓓ	Ⓔ
City - 700	700	460	350	265	50
City - 700 (wall mount tap)	700	460	350	230	-
City - 900	900	460	450	265	50
City - 900 (wall mount tap)	900	460	450	230	-
City - 1200	1200	460	600	265	50
City - 1200 (wall mount tap)	1200	460	600	230	-

INDICATES TOP SURFACE -----

IMPORTANT NOTE: Throughout this guide, dimensions may vary by ± 2mm. Please read the installation manual for detailed information on installing the product. St. Michel pursues a policy of continuing improvement in design and manufacturing of its products. The right is therefore reserved to vary specifications without notice. For full installation instructions visit [stmichel.co.nz](http://stmichel.co.nz).

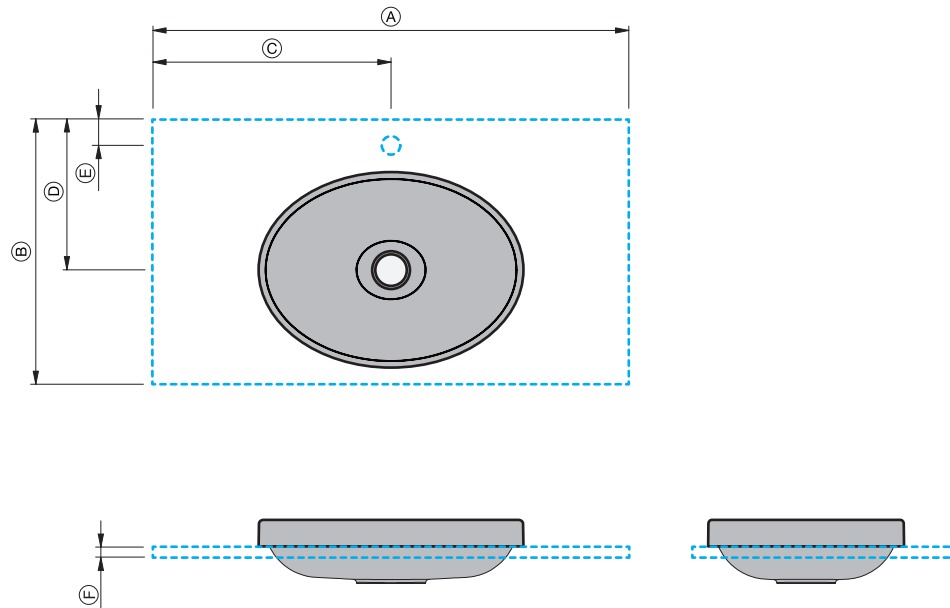
**TOP SPECIFICATION**  
**Dignity**

**Cabinet range** (refer to applicable cabinet data sheet)



**CITY**      **RIVA CLASSIC**      **LONDON**

Top Thickness (mm)	Ⓕ	Cherry Pie			
Riva Classic		20.5			



- The top must be sealed to the vanity unit with an acetic cured silicone sealant. Epoxy type sealants must not be used
- Tops can be drilled on site with a standard hole saw
- For wall mounted taps we recommend using a 200mm wall mixer

Product Dimensions (mm)	Ⓐ	Ⓑ	Ⓒ	Ⓓ	Ⓔ
Riva Classic - 750	750	460	375	265	50
Riva Classic - 750 (wall mount tap)	750	460	375	230	-
Riva Classic - 900	900	460	450	265	50
Riva Classic - 900 (wall mount tap)	900	460	450	230	-
Riva Classic - 900 - LH	900	460	340	265	50
Riva Classic - 900 - LH (wall mount tap)	900	460	340	230	-
Riva Classic - 900 - RH	900	460	560	265	50
Riva Classic - 900 - RH (wall mounted tap)	900	460	560	230	-
Riva Classic - 1200	1200	460	600	265	50
Riva Classic - 1200 (wall mount tap)	1200	460	600	230	-
Riva Classic - 1500	1500	460	750	265	50
Riva Classic - 1500 (wall mount tap)	1500	460	750	230	-

INDICATES TOP SURFACE -----

**IMPORTANT NOTE:** Throughout this guide, dimensions may vary by  $\pm 2$ mm. Please read the installation manual for detailed information on installing the product. St. Michel pursues a policy of continuing improvement in design and manufacturing of its products. The right is therefore reserved to vary specifications without notice. For full installation instructions visit [stmichel.co.nz](http://stmichel.co.nz).

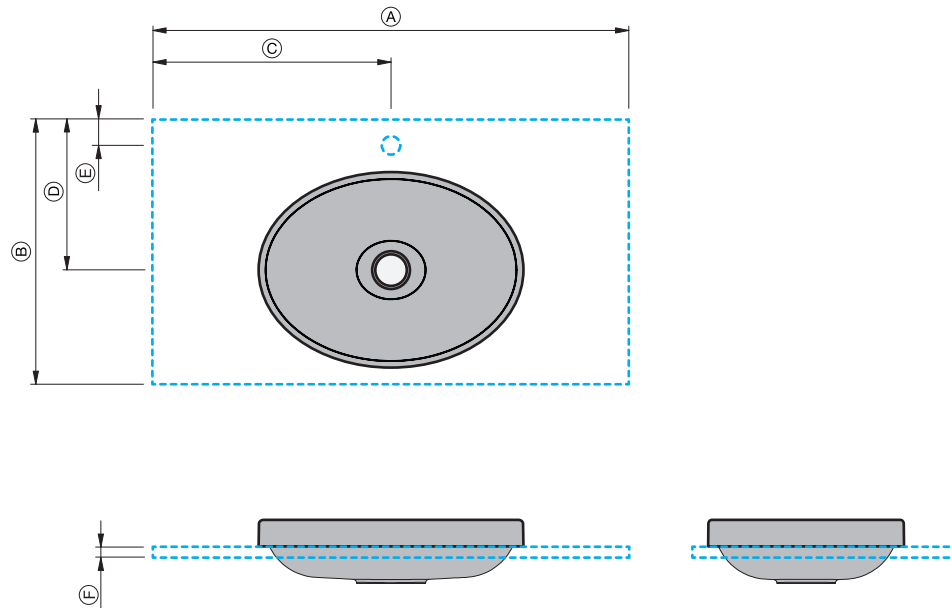
**TOP SPECIFICATION**  
**Dignity**

**Cabinet range** (refer to applicable cabinet data sheet)



**CITY**      **RIVA CLASSIC**      **LONDON**

<b>Top Thickness (mm)</b>	ⓕ	Cherry Pie		
London		60		



- The top must be sealed to the vanity unit with an acetic cured silicone sealant. Epoxy type sealants must not be used
- Tops can be drilled on site with a standard hole saw
- For wall mounted taps we recommend using a 200mm wall mixer

<b>Product Dimensions (mm)</b>	Ⓐ	Ⓑ	Ⓒ	Ⓓ	Ⓔ
London - 750	750	510	375	300	80
London - 750 (wall mount tap)	750	510	375	255	-
London - 900	900	510	450	300	80
London - 900 (wall mount tap)	900	510	450	255	-
London - 1200	1200	510	600	300	80
London - 1200 (wall mount tap)	1200	510	600	255	-

INDICATES TOP SURFACE -----

IMPORTANT NOTE: Throughout this guide, dimensions may vary by ± 2mm. Please read the installation manual for detailed information on installing the product. St. Michel pursues a policy of continuing improvement in design and manufacturing of its products. The right is therefore reserved to vary specifications without notice. For full installation instructions visit [stmichel.co.nz](http://stmichel.co.nz).

**TOP SPECIFICATION**  
**Dignity**

**Cabinet range** (refer to applicable cabinet data sheet)



**CITY**      **RIVA CLASSIC**      **LONDON**

Top Thickness (mm)	Ⓕ	Cherry Pie			
City		20.5			
Riva Classic		20.5			
London		60			

- The top must be sealed to the vanity unit with an acetic cured silicone sealant. Epoxy type sealants must not be used
- Tops can be drilled on site with a standard hole saw
- For wall mounted taps we recommend using a 200mm wall mixer

Product Dimensions (mm)	Ⓐ	Ⓑ	Ⓒ	Ⓓ	Ⓔ
City - 1200 - DB	1200	460	300	265	50
City - 1200 - DB (wall mount tap)	1200	460	300	230	-
City - 1400 - DB	1400	460	350	265	50
City - 1400 - DB (wall mount tap)	1400	460	350	230	-
Riva Classic - 1200 - DB	1200	460	300	230	50
Riva Classic - 1200 - DB (wall mount tap)	1200	460	300	230	-
Riva Classic - 1500 - DB	1500	460	375	265	50
Riva Classic - 1500 - DB (wall mount tap)	1500	460	375	230	-
London - 1500 - DB	1500	510	377.5	300	80
London - 1500 - DB (wall mount tap)	1500	510	377.5	255	-

INDICATES TOP SURFACE -----

IMPORTANT NOTE: Throughout this guide, dimensions may vary by ± 2mm. Please read the installation manual for detailed information on installing the product. St. Michel pursues a policy of continuing improvement in design and manufacturing of its products. The right is therefore reserved to vary specifications without notice. For full installation instructions visit [stmichel.co.nz](http://stmichel.co.nz).

Date edited:

18 / 10 / 2019

05 / 05

