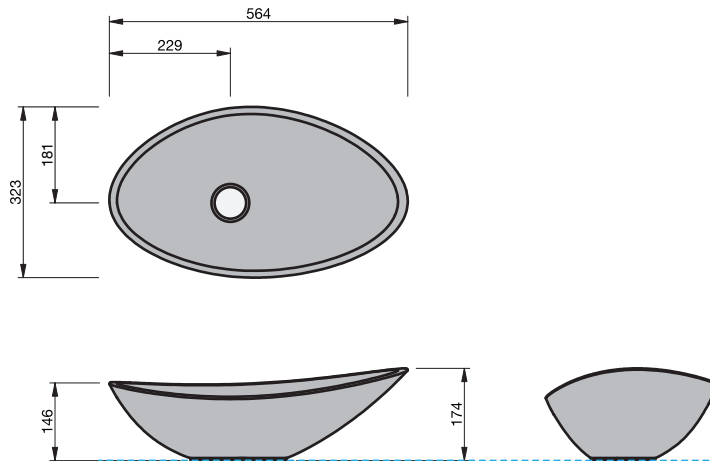


BASIN SPECIFICATION

Grace



Cabinet range (refer to applicable cabinet data sheet)



CITY

RIVA  
CLASSIC

Product Features

Type of basin	Vessel
Material of basin	Mineral Cast
Capacity of basin	5 litre
Overflow Configuration	Overflow not provided
Colour options	White Gloss

- The basin must be sealed to the top with an acetic cured silicone sealant.
- Epoxy type sealants must not be used.

INDICATES TOP SURFACE -----

IMPORTANT NOTE: Throughout this guide, dimensions may vary by  $\pm 2$ mm. Please read the installation manual for detailed information on installing the product. St. Michel pursues a policy of continuing improvement in design and manufacturing of its products. The right is therefore reserved to vary specifications without notice. For full installation instructions visit [stmichel.co.nz](http://stmichel.co.nz).

Date edited:

18 / 10 / 2019

01 / 04

TOP SPECIFICATION  
Grace

Cabinet range (refer to applicable cabinet data sheet)



CITY



RIVA  
CLASSIC



Top Thickness (mm)	F	Cherry Pie
City		20.5

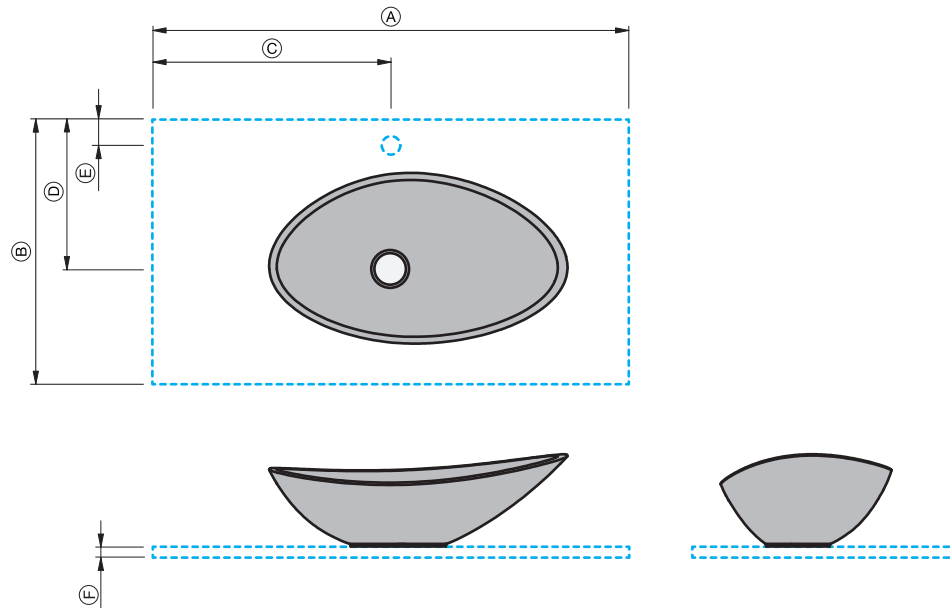
- The top must be sealed to the vanity unit with an acetic cured silicone sealant. Epoxy type sealants must not be used
- Tops can be drilled on site with a standard hole saw
- For wall mounted taps we recommend using a 200mm wall mixer

Product Dimensions (mm)	A	B	C	D	E
City - 700	700	460	350	300	55
City - 700 (wall mount tap)	700	460	350	230	-
City - 900	900	460	450	300	55
City - 900 (wall mount tap)	900	460	450	230	-
City - 1200	1200	460	600	300	55
City - 1200 (wall mount tap)	1200	460	600	230	-

INDICATES TOP SURFACE -----

IMPORTANT NOTE: Throughout this guide, dimensions may vary by  $\pm 2$ mm. Please read the installation manual for detailed information on installing the product. St. Michel pursues a policy of continuing improvement in design and manufacturing of its products. The right is therefore reserved to vary specifications without notice. For full installation instructions visit [stmichel.co.nz](http://stmichel.co.nz).

Date edited: 18 / 10 / 2019



**TOP SPECIFICATION**  
**Grace**

**Cabinet range** (refer to applicable cabinet data sheet)



<b>Top Thickness (mm)</b> (F)	Cherry Pie			
Riva Classic	20.5			

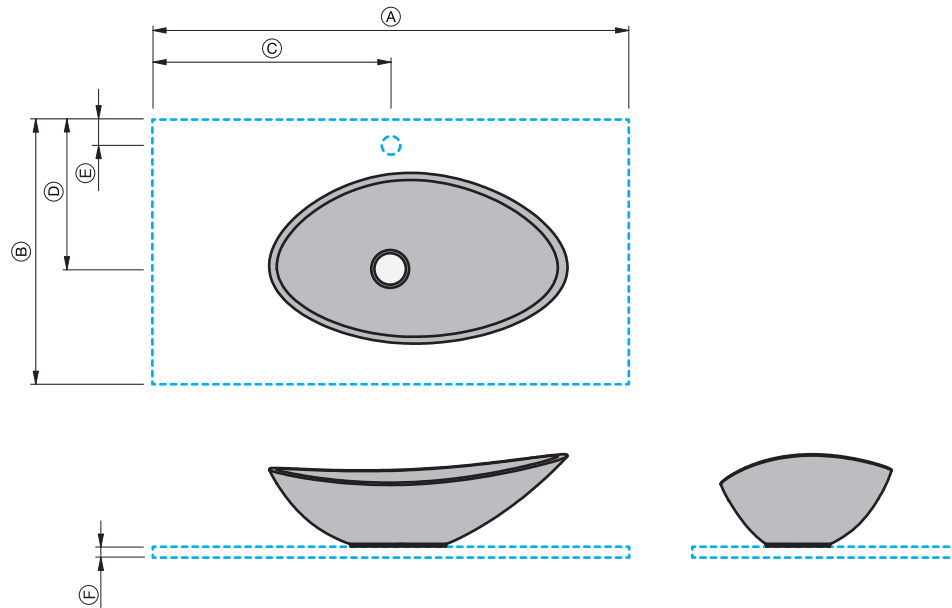
- The top must be sealed to the vanity unit with an acetic cured silicone sealant. Epoxy type sealants must not be used
- Tops can be drilled on site with a standard hole saw
- For wall mounted taps we recommend using a 200mm wall mixer

<b>Product Dimensions (mm)</b>	(A)	(B)	(C)	(D)	(E)
Riva Classic - 750	750	460	375	300	55
Riva Classic - 750 (wall mount tap)	750	460	375	230	-
Riva Classic - 900	900	460	450	300	55
Riva Classic - 900 (wall mount tap)	900	460	450	230	-
Riva Classic - 900 - LH	900	460	340	300	55
Riva Classic - 900 - LH (wall mount tap)	900	460	340	230	-
Riva Classic - 900 - RH	900	460	560	300	55
Riva Classic - 900 - RH (wall mount tap)	900	460	560	230	-
Riva Classic - 1200	1200	460	600	300	55
Riva Classic - 1200 (wall mount tap)	1200	460	600	230	-
Riva Classic - 1500	1500	460	750	300	55
Riva Classic - 1500 (wall mount tap)	1500	460	750	230	-

INDICATES TOP SURFACE -----

**IMPORTANT NOTE:** Throughout this guide, dimensions may vary by  $\pm 2$ mm. Please read the installation manual for detailed information on installing the product. St. Michel pursues a policy of continuing improvement in design and manufacturing of its products. The right is therefore reserved to vary specifications without notice. For full installation instructions visit [stmichel.co.nz](http://stmichel.co.nz).

**Date edited:** 18 / 10 / 2019



TOP SPECIFICATION  
Grace

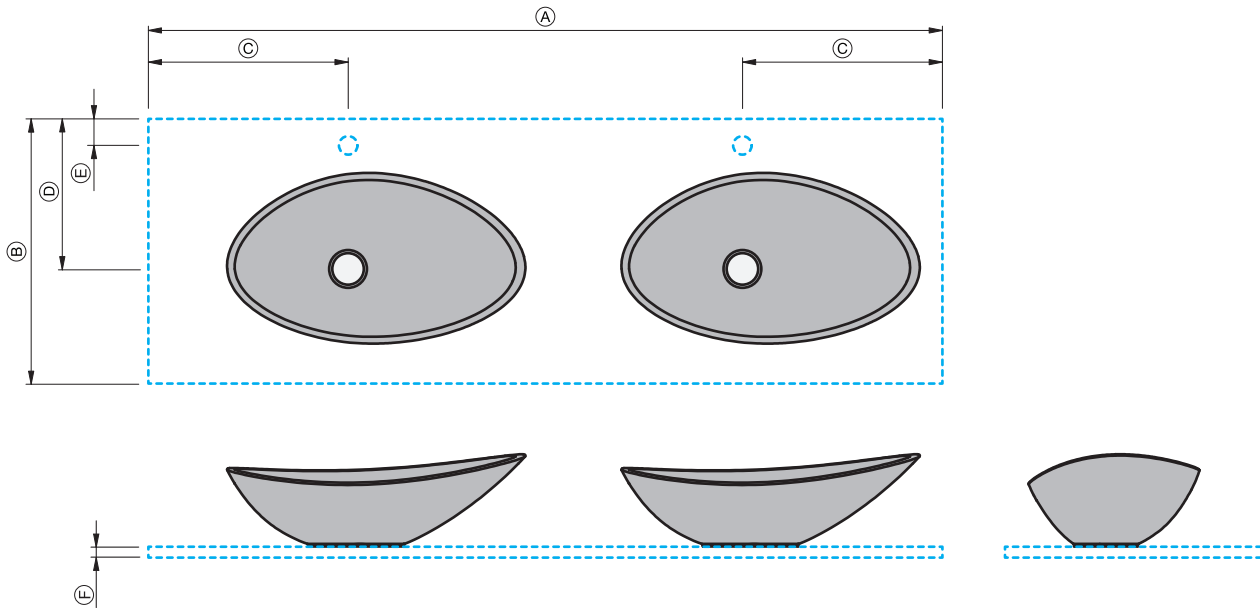
Cabinet range (refer to applicable cabinet data sheet)



Top Thickness (mm)	(F)	Cherry Pie
City		20.5
Riva Classic		20.5

- The top must be sealed to the vanity unit with an acetic cured silicone sealant. Epoxy type sealants must not be used
- Tops can be drilled on site with a standard hole saw
- For wall mounted taps we recommend using a 200mm wall mixer

Product Dimensions (mm)	(A)	(B)	(C)	(D)	(E)
City - 1200 - DB	1200	460	300	300	55
City - 1200 - DB (wall mount tap)	1200	460	300	230	-
City - 1400 - DB	1400	460	350	300	55
City - 1400 - DB (wall mount tap)	1400	460	350	230	-
Riva Classic - 1200 - DB	1200	460	300	300	55
Riva Classic - 1200 - DB (wall mounted tap)	1200	460	300	230	-
Riva Classic - 1500 - DB	1500	460	375	300	55
Riva Classic - 1500 - DB (wall mounted tap)	1500	460	375	230	-



INDICATES TOP SURFACE -----

IMPORTANT NOTE: Throughout this guide, dimensions may vary by  $\pm 2$ mm. Please read the installation manual for detailed information on installing the product. St. Michel pursues a policy of continuing improvement in design and manufacturing of its products. The right is therefore reserved to vary specifications without notice. For full installation instructions visit [stmichel.co.nz](http://stmichel.co.nz).