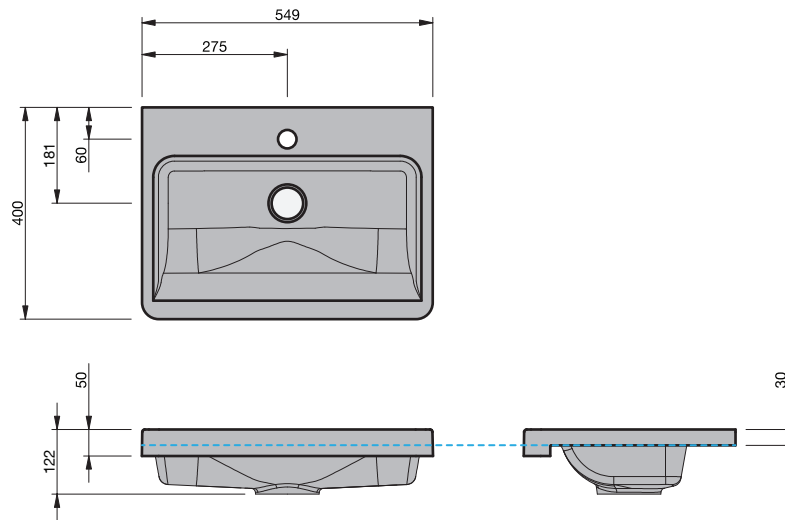


BASIN SPECIFICATION

Integrity



Cabinet range (refer to applicable cabinet data sheet)



CITY SR

Product Features

Type of basin	Inset
Material of basin	Cherry Pie®, Mineral Cast
Capacity of basin	8 litre
Overflow Configuration	Overflow not provided
Colour options	White Matte, White Gloss

- The basin must be sealed to the top with an acetic cured silicone sealant.
- Epoxy type sealants must not be used.

INDICATES TOP SURFACE -----

IMPORTANT NOTE: Throughout this guide, dimensions may vary by ± 2 mm. Please read the installation manual for detailed information on installing the product. St. Michel pursues a policy of continuing improvement in design and manufacturing of its products. The right is therefore reserved to vary specifications without notice. For full installation instructions visit stmichel.co.nz.

Date edited:

18 / 10 / 2019

01 / 03

TOP SPECIFICATION
Integrity

Cabinet range (refer to applicable cabinet data sheet)



CITY SR

Top Thickness (mm)	F	Cherry Pie
City SR		20.5

- The top must be sealed to the vanity unit with an acetic cured silicone sealant. Epoxy type sealants must not be used
- Tops can be drilled on site with a standard hole saw

Product Dimensions (mm)	A	B	C	D	E
City SR - 700	700	350	350	181	-
City SR - 900	900	350	450	181	-
City SR - 1200	1200	350	600	181	-
City SR - 1400 - LH	1400	350	350	181	-
City SR - 1400 - RH	1400	350	1050	181	-
City SR - 1600 - LH	1600	350	400	181	-
City SR - 1600 - RH	1600	350	1200	181	-

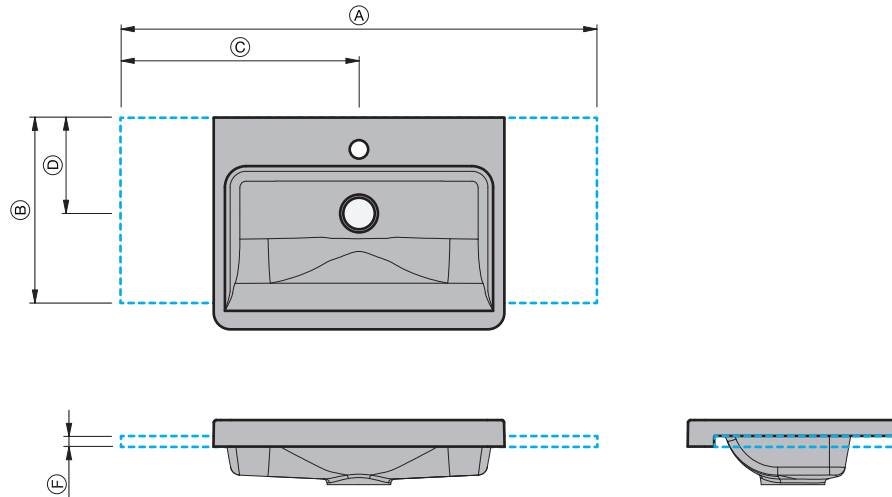
INDICATES TOP SURFACE -----

IMPORTANT NOTE: Throughout this guide, dimensions may vary by ± 2 mm. Please read the installation manual for detailed information on installing the product. St. Michel pursues a policy of continuing improvement in design and manufacturing of its products. The right is therefore reserved to vary specifications without notice. For full installation instructions visit stmichel.co.nz.

Date edited:

18 / 10 / 2019

02 / 03



TOP SPECIFICATION
Integrity

Cabinet range (refer to applicable cabinet data sheet)

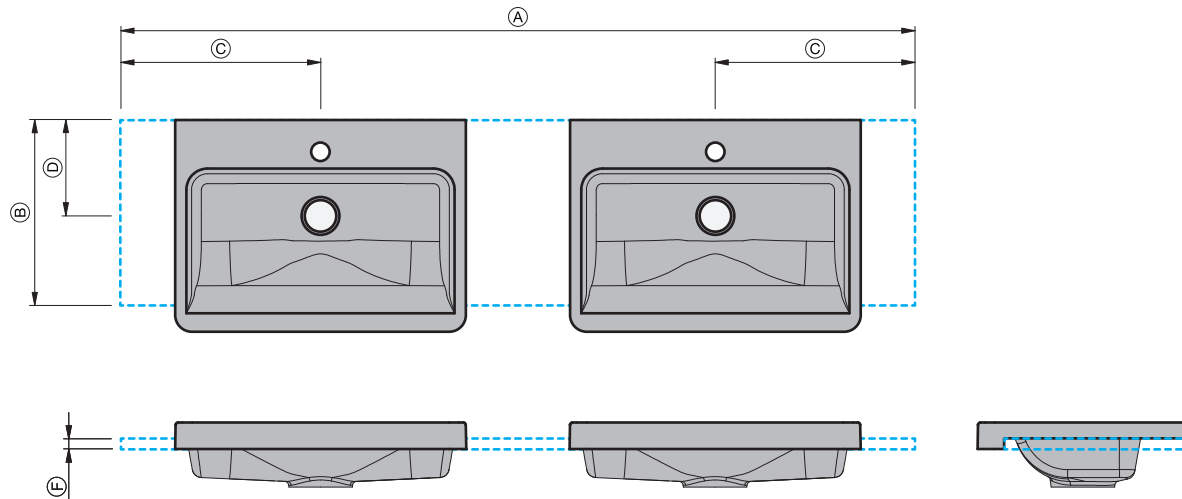


CITY SR

Top Thickness (mm)	F	Cherry Pie
City SR		20.5

- The top must be sealed to the vanity unit with an acetic cured silicone sealant. Epoxy type sealants must not be used
- Tops can be drilled on site with a standard hole saw

Product Dimensions (mm)	A	B	C	D	E
City SR - 1400 - DB	1400	350	350	181	-
City SR - 1600 - DB	1600	350	400	181	-



INDICATES TOP SURFACE -----

IMPORTANT NOTE: Throughout this guide, dimensions may vary by ± 2 mm. Please read the installation manual for detailed information on installing the product. St. Michel pursues a policy of continuing improvement in design and manufacturing of its products. The right is therefore reserved to vary specifications without notice. For full installation instructions visit stmichel.co.nz.