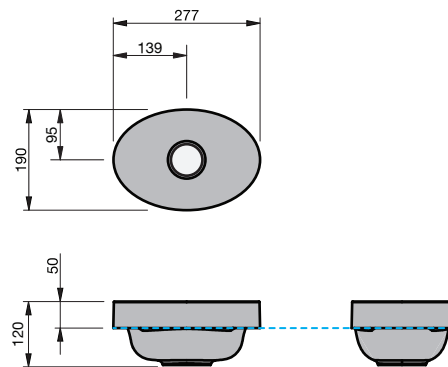


BASIN SPECIFICATION

Joy



Cabinet range (refer to applicable cabinet data sheet)



LONDON MINI-B

Product Features

Type of basin	Inset
Material of basin	Cherry Pie®, Mineral Cast
Capacity of basin	2.5 litre
Overflow Configuration	Overflow not provided
Colour options	White Matte, White Gloss

- The basin must be sealed to the top with an acetic cured silicone sealant.
- Epoxy type sealants must not be used.

INDICATES TOP SURFACE -----

IMPORTANT NOTE: Throughout this guide, dimensions may vary by  $\pm 2$ mm. Please read the installation manual for detailed information on installing the product. St. Michel pursues a policy of continuing improvement in design and manufacturing of its products. The right is therefore reserved to vary specifications without notice. For full installation instructions visit [stmichel.co.nz](http://stmichel.co.nz).

Date edited:

18 / 10 / 2019

01 / 02

TOP SPECIFICATION  
Joy

Cabinet range (refer to applicable cabinet data sheet)



LONDON MINI-B

Top Thickness (mm)	ⓕ	Cherry Pie
London		20.5
Mini B		20.5

- The top must be sealed to the vanity unit with an acetic cured silicone sealant. Epoxy type sealants must not be used
- Tops can be drilled on site with a standard hole saw
- For wall mounted taps we recommend using a 200mm wall mixer

Product Dimensions (mm)	Ⓐ	Ⓑ	Ⓒ	Ⓓ	Ⓔ
London - 400	400	220	110	225	55
London - 550	550	220	110	225	55
London - 800	800	220	110	225	55
Mini B - 400	400	220	110	225	55
Mini B - 550	550	220	110	225	55
Mini B - 800	800	220	110	225	55

INDICATES TOP SURFACE -----

IMPORTANT NOTE: Throughout this guide, dimensions may vary by ± 2mm. Please read the installation manual for detailed information on installing the product. St. Michel pursues a policy of continuing improvement in design and manufacturing of its products. The right is therefore reserved to vary specifications without notice. For full installation instructions visit [stmichel.co.nz](http://stmichel.co.nz).

Date edited:

18 / 10 / 2019

02 / 02

