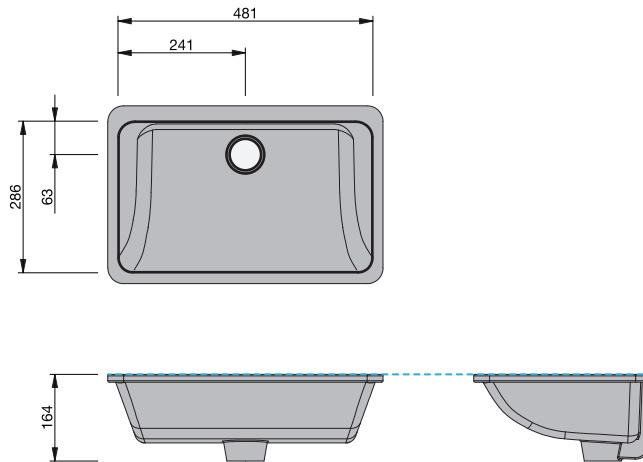
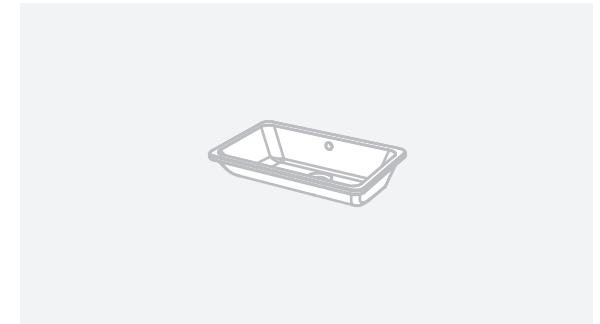


BASIN SPECIFICATION

Nesa Undermount



Cabinet range (refer to applicable cabinet data sheet)



CITY

RIVA
CLASSIC

Product Features

Type of basin	Undermount
Material of basin	Ceramic
Capacity of basin	5.5 litre
Overflow Configuration	Overflow integrated Max tap flow rate of 15 litres / minute
Colour options	White Gloss

- The basin must be sealed to the top with an acetic cured silicone sealant.
- Epoxy type sealants must not be used.

INDICATES TOP SURFACE -----

IMPORTANT NOTE: Throughout this guide, dimensions may vary by ± 10 mm. Please read the installation manual for detailed information on installing the product. St. Michel pursues a policy of continuing improvement in design and manufacturing of its products. The right is therefore reserved to vary specifications without notice. For full installation instructions visit stmichel.co.nz.

TOP SPECIFICATION
Nesa Undermount

Cabinet range (refer to applicable cabinet data sheet)



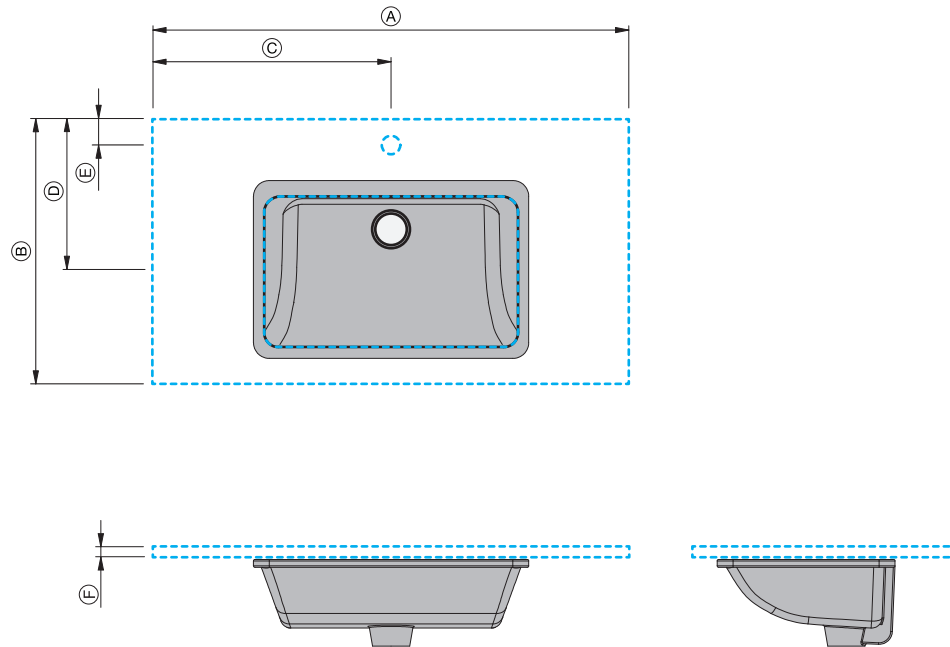
CITY

RIVA CLASSIC

Top Thickness (mm)	F	Cherry Pie		
City		20.5		
Riva Classic		20.5		

- The top must be sealed to the vanity unit with an acetic cured silicone sealant. Epoxy type sealants must not be used
- Tops can be drilled on site with a standard hole saw

Product Dimensions (mm)	A	B	C	D	E
City - 700	700	460	350	167	44
City - 900	900	460	450	167	44
City - 1200	1200	460	600	167	44
Riva Classic - 750	750	460	375	167	44
Riva Classic - 900	900	460	450	167	44
Riva Classic - 900 - LH	900	460	340	167	44
Riva Classic - 900 - RH	900	460	560	167	44
Riva Classic - 1200	1200	460	600	167	44
Riva Classic - 1500	1500	460	375	167	44



INDICATES TOP SURFACE -----

IMPORTANT NOTE: Throughout this guide, dimensions may vary by ± 2 mm. Please read the installation manual for detailed information on installing the product. St. Michel pursues a policy of continuing improvement in design and manufacturing of its products. The right is therefore reserved to vary specifications without notice. For full installation instructions visit stmichel.co.nz.

TOP SPECIFICATION
Nesa Undermount

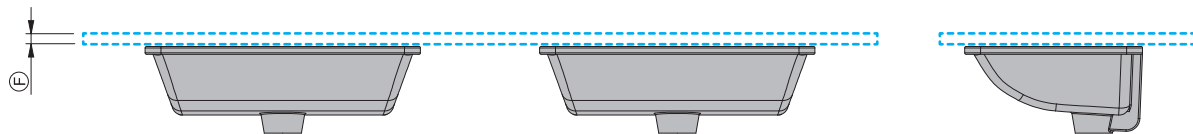
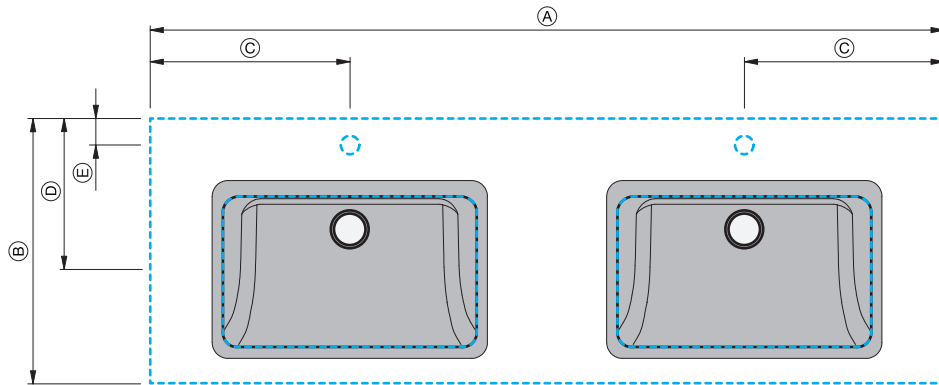
Cabinet range (refer to applicable cabinet data sheet)



CITY

RIVA
CLASSIC

Top Thickness (mm)	(F)	Cherry Pie
City		20.5
Riva Classic		20.5



- The top must be sealed to the vanity unit with an acetic cured silicone sealant. Epoxy type sealants must not be used
- Tops can be drilled on site with a standard hole saw

Product Dimensions (mm)	(A)	(B)	(C)	(D)	(E)
City - 1200 - DB	1200	460	300	167	44
City - 1400 - DB	1400	460	350	167	44
Riva Classic - 1200 - DB	1200	460	300	167	44
Riva Classic - 1500 - DB	1500	460	375	167	44

INDICATES TOP SURFACE -----

IMPORTANT NOTE: Throughout this guide, dimensions may vary by ± 2 mm. Please read the installation manual for detailed information on installing the product. St. Michel pursues a policy of continuing improvement in design and manufacturing of its products. The right is therefore reserved to vary specifications without notice. For full installation instructions visit stmichel.co.nz.