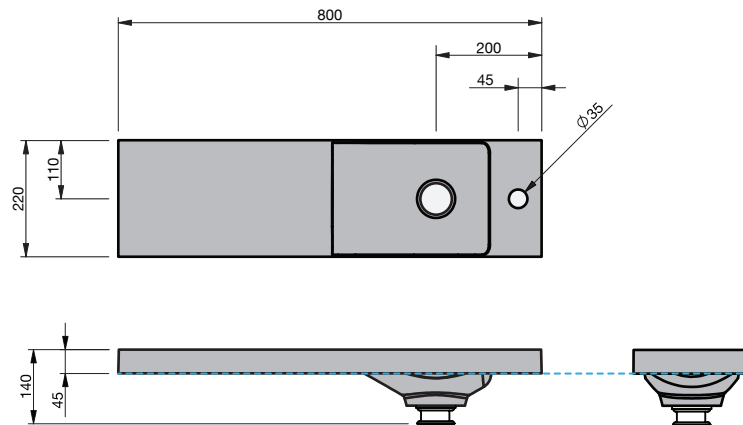
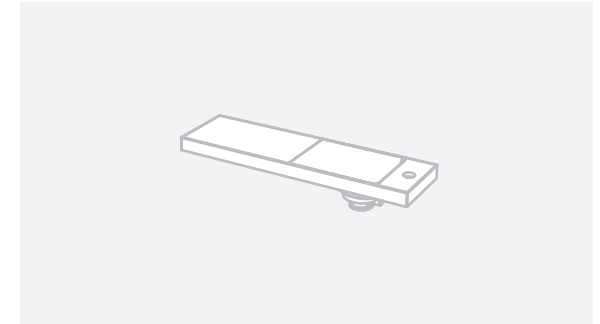


BASIN SPECIFICATION
Penelope - 800



Cabinet range (refer to applicable cabinet data sheet)



MINI-B

Product Features

| | |
|------------------------|--|
| Type of basin | Console Basin |
| Material of basin | Mineral Cast |
| Capacity of basin | 1.0 litre |
| Overflow Configuration | Overflow supplied Max tap flow rate of 15 litres / minute |
| Colour options | White Gloss |

- The basin must be sealed to the top with an acetic cured silicone sealant.
- Epoxy type sealants must not be used.
- This basin is reversible

INDICATES TOP SURFACE -----

IMPORTANT NOTE: Throughout this guide, dimensions may vary by ± 2 mm. Please read the installation manual for detailed information on installing the product. St. Michel pursues a policy of continuing improvement in design and manufacturing of its products. The right is therefore reserved to vary specifications without notice. For full installation instructions visit stmichel.co.nz.

Date edited:

7 / 08 / 2019