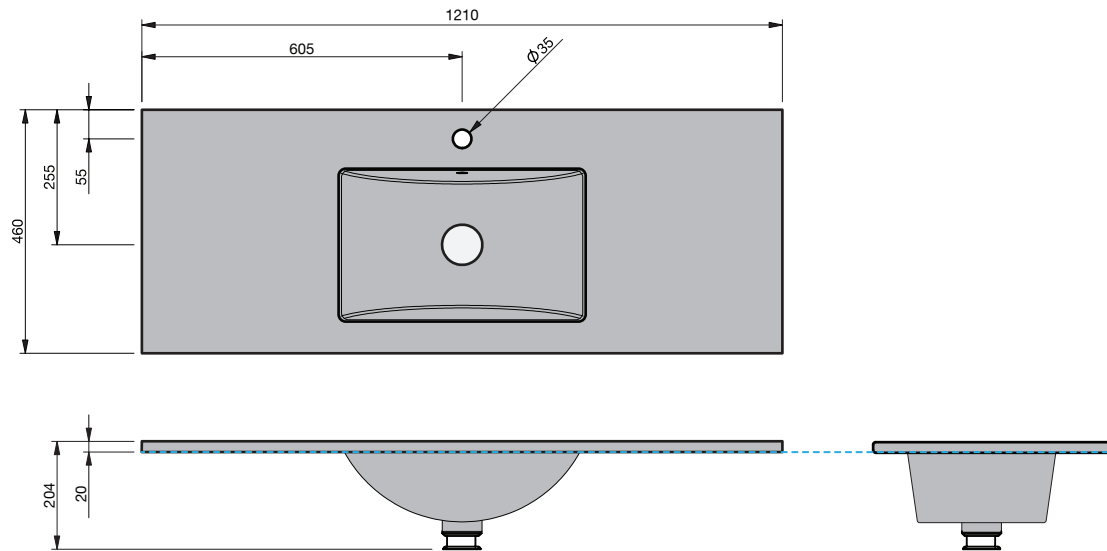
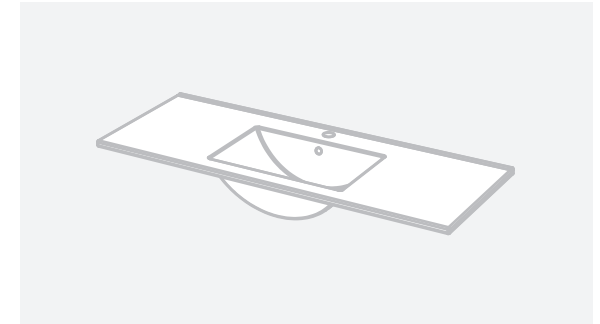


**BASIN SPECIFICATION**  
**Rubik - 1200**



**Cabinet range** (refer to applicable cabinet data sheet)



**RIVA  
CLASSIC**

**Product Features**

Type of basin	Console Basin
Material of basin	Ceramic
Capacity of basin	6.5 litre
Overflow Configuration	Overflow provided Max tap flow rate of 15 litre / minute
Colour options	White Gloss

- The basin must be sealed to the top with an acetic cured silicone sealant.
- Epoxy type sealants must not be used.
- Due to the manufacturing process of ceramic, dimensions can vary. For critical dimensions, we advise measuring the basin supplied.

**INDICATES TOP SURFACE** -----

**IMPORTANT NOTE:** Throughout this guide, dimensions may vary by  $\pm 20$ mm. Please read the installation manual for detailed information on installing the product. St. Michel pursues a policy of continuing improvement in design and manufacturing of its products. The right is therefore reserved to vary specifications without notice. For full installation instructions visit [stmichel.co.nz](http://stmichel.co.nz).

**Date edited:**

7 / 08 / 2019

01 / 01