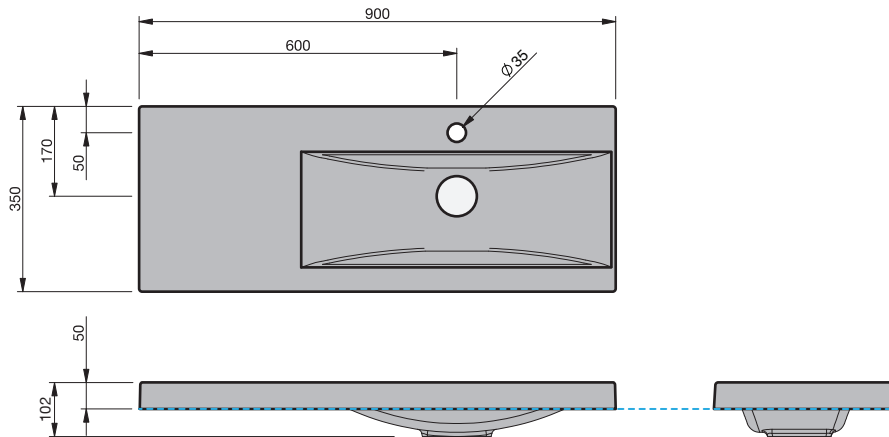
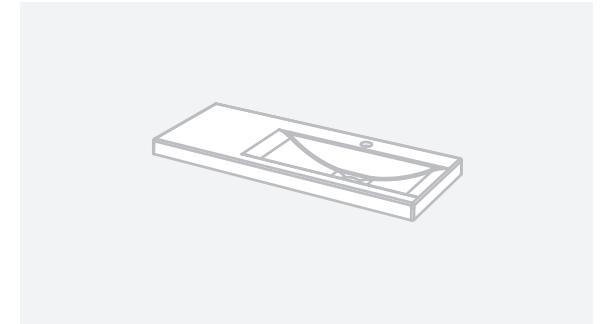


**BASIN SPECIFICATION**  
**Selina - 900 - RH**



**Cabinet range** (refer to applicable cabinet data sheet)



**CITY  
SLIM**

**Product Features**

|                        |                       |
|------------------------|-----------------------|
| Type of basin          | Console Basin         |
| Material of basin      | Mineral Cast          |
| Capacity of basin      | 5 litre               |
| Overflow Configuration | Overflow not provided |
| Colour options         | White Gloss           |

- The basin must be sealed to the top with an acetic cured silicone sealant.
- Epoxy type sealants must not be used.

**INDICATES TOP SURFACE** -----

**IMPORTANT NOTE:** Throughout this guide, dimensions may vary by  $\pm 2$ mm. Please read the installation manual for detailed information on installing the product. St. Michel pursues a policy of continuing improvement in design and manufacturing of its products. The right is therefore reserved to vary specifications without notice. For full installation instructions visit [stmichel.co.nz](http://stmichel.co.nz).

**Date edited:**

7 / 08 / 2019

01 / 01