

BASIN SPECIFICATION

Sfera



Cabinet range (refer to applicable cabinet data sheet)



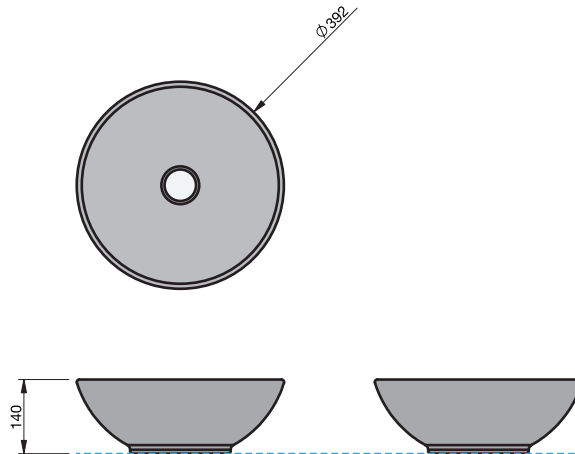
CITY

RIVA
CLASSIC

Product Features

Type of basin	Vessel
Material of basin	Ceramic
Capacity of basin	8 litre
Overflow Configuration	Overflow not provided
Colour options	White Matte, White Gloss, Black Matte

- The basin must be sealed to the top with an acetic cured silicone sealant.
- Epoxy type sealants must not be used.



INDICATES TOP SURFACE -----

IMPORTANT NOTE: Throughout this guide, dimensions may vary by ± 10 mm. Please read the installation manual for detailed information on installing the product. St. Michel pursues a policy of continuing improvement in design and manufacturing of its products. The right is therefore reserved to vary specifications without notice. For full installation instructions visit stmichel.co.nz.

Date edited:

18 / 10 / 2019

TOP SPECIFICATION
Sfera

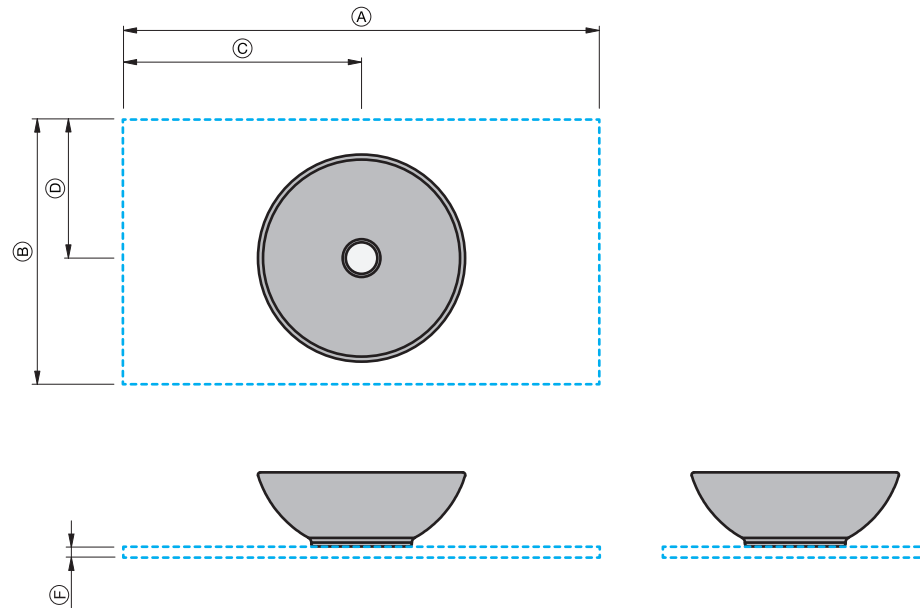
Cabinet range (refer to applicable cabinet data sheet)



Top Thickness (mm)	F	Cherry Pie
City		20.5
Riva Classic		20.5

- The top must be sealed to the vanity unit with an acetic cured silicone sealant. Epoxy type sealants must not be used
- Tops can be drilled on site with a standard hole saw
- For wall mounted taps we recommend using a 200mm wall mixer

Product Dimensions (mm)	A	B	C	D	E
City - 700	700	460	350	230	-
City - 900	900	460	450	230	-
City - 1200	1200	460	600	230	-
Riva Classic - 750	750	460	375	230	-
Riva Classic - 900	900	460	450	230	-
Riva Classic - 900 - LH	900	460	340	230	-
Riva Classic - 900 - RH	900	460	560	230	-
Riva Classic - 1200	1200	460	600	230	-
Riva Classic - 1500	1500	460	750	230	-



INDICATES TOP SURFACE -----

IMPORTANT NOTE: Throughout this guide, dimensions may vary by ± 2 mm. Please read the installation manual for detailed information on installing the product. St. Michel pursues a policy of continuing improvement in design and manufacturing of its products. The right is therefore reserved to vary specifications without notice. For full installation instructions visit stmichel.co.nz.

TOP SPECIFICATION
Sfera

Cabinet range (refer to applicable cabinet data sheet)



CITY



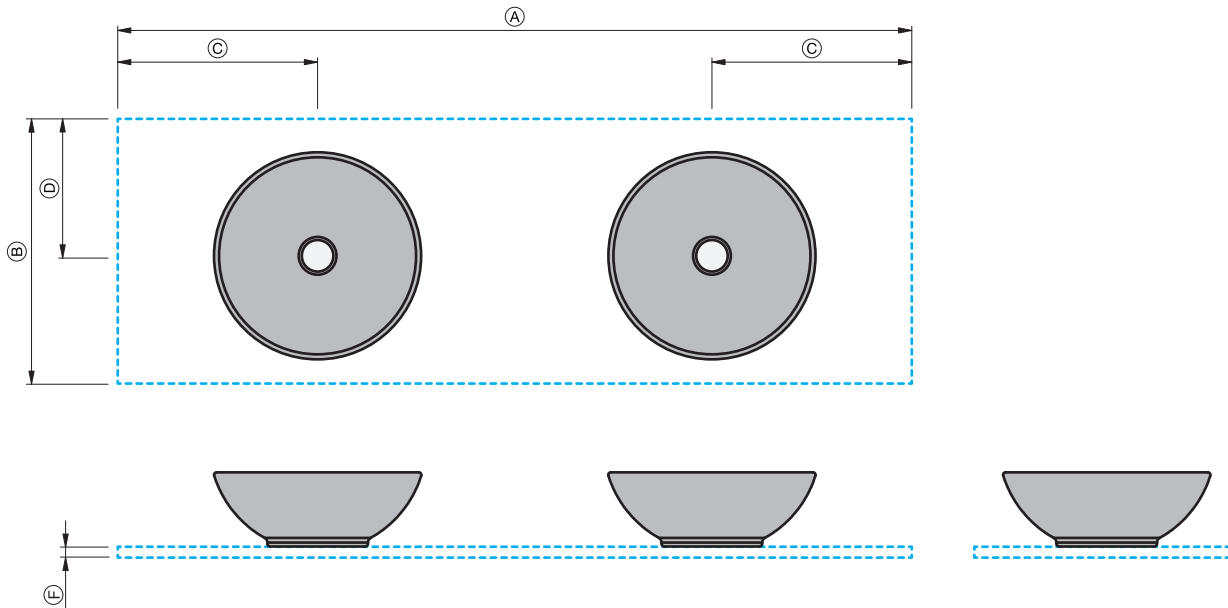
RIVA
CLASSIC



Top Thickness (mm)	Ⓕ	Cherry Pie
City		20.5
Riva Classic		20.5

- The top must be sealed to the vanity unit with an acetic cured silicone sealant. Epoxy type sealants must not be used
- Tops can be drilled on site with a standard hole saw
- For wall mounted taps we recommend using a 200mm wall mixer

Product Dimensions (mm)	Ⓐ	Ⓑ	Ⓒ	Ⓓ	Ⓔ
City - 1200 - DB	1200	460	300	230	-
City - 1400 - DB	1400	460	350	230	-
Riva Classic - 1200 - DB	1200	460	300	230	-
Riva Classic - 1500 - DB	1500	460	375	230	-



INDICATES TOP SURFACE -----

IMPORTANT NOTE: Throughout this guide, dimensions may vary by ± 2 mm. Please read the installation manual for detailed information on installing the product. St. Michel pursues a policy of continuing improvement in design and manufacturing of its products. The right is therefore reserved to vary specifications without notice. For full installation instructions visit stmichel.co.nz.