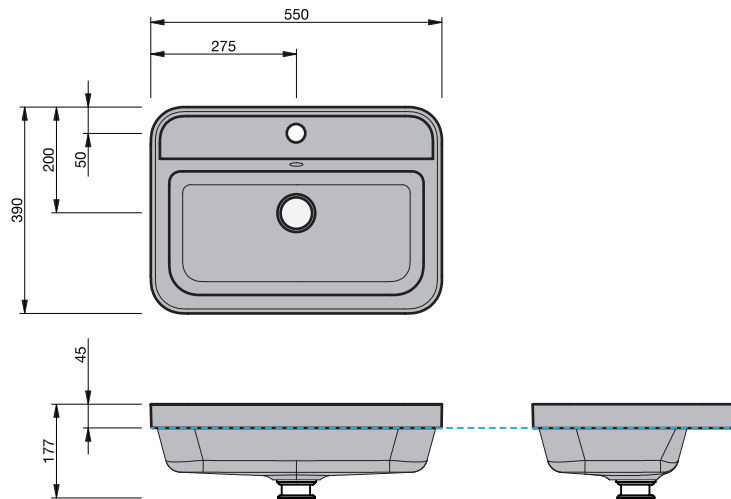
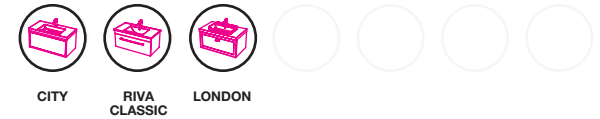


BASIN SPECIFICATION

Star



Cabinet range (refer to applicable cabinet data sheet)



CITY

RIVA
CLASSIC

LONDON

Product Features

| | |
|------------------------|--|
| Type of basin | Inset |
| Material of basin | Cherry Pie® |
| Capacity of basin | 6 litre |
| Overflow Configuration | Overflow provided Max tap flow rate of 15 litres / minute |
| Colour options | White Matte |

- The basin must be sealed to the top with an acetic cured silicone sealant.
- Epoxy type sealants must not be used.

INDICATES TOP SURFACE -----

IMPORTANT NOTE: Throughout this guide, dimensions may vary by ± 2 mm. Please read the installation manual for detailed information on installing the product. St. Michel pursues a policy of continuing improvement in design and manufacturing of its products. The right is therefore reserved to vary specifications without notice. For full installation instructions visit stmichel.co.nz.

Date edited:

18 / 10 / 2019

01 / 03

TOP SPECIFICATION

Star

Cabinet range (refer to applicable cabinet data sheet)



| Top Thickness (mm) | ⓕ | Cherry Pie | | |
|--------------------|---|------------|--|--|
| City | | 20.5 | | |
| Riva Classic | | 20.5 | | |
| London | | 60 | | |

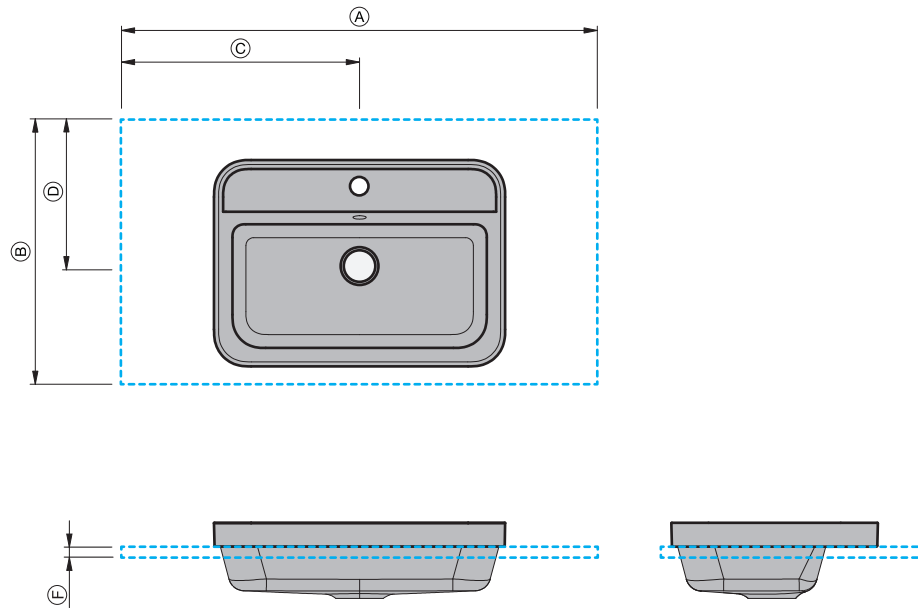
- The top must be sealed to the vanity unit with an acetic cured silicone sealant. Epoxy type sealants must not be used
- Tops can be drilled on site with a standard hole saw

| Product Dimensions (mm) | Ⓐ | Ⓑ | Ⓒ | Ⓓ | Ⓔ |
|-------------------------|------|-----|-----|-----|---|
| City - 700 | 700 | 460 | 350 | 235 | - |
| City - 900 | 900 | 460 | 450 | 235 | - |
| City - 1200 | 1200 | 460 | 600 | 235 | - |
| Riva Classic - 750 | 750 | 460 | 375 | 235 | - |
| Riva Classic - 900 | 900 | 460 | 450 | 235 | - |
| Riva Classic - 1200 | 1200 | 460 | 600 | 235 | - |
| Riva Classic - 1500 | 1500 | 460 | 750 | 235 | - |
| Riva Classic - 900 - LH | 900 | 460 | 300 | 235 | - |
| Riva Classic - 900 - RH | 900 | 460 | 600 | 235 | - |
| London - 750 | 750 | 510 | 375 | 290 | - |
| London - 900 | 900 | 510 | 450 | 290 | - |
| London - 1200 | 1200 | 510 | 600 | 290 | - |

INDICATES TOP SURFACE -----

IMPORTANT NOTE: Throughout this guide, dimensions may vary by ± 2mm. Please read the installation manual for detailed information on installing the product. St. Michel pursues a policy of continuing improvement in design and manufacturing of its products. The right is therefore reserved to vary specifications without notice. For full installation instructions visit stmichel.co.nz.

Date edited: 18 / 10 / 2019



TOP SPECIFICATION
Star

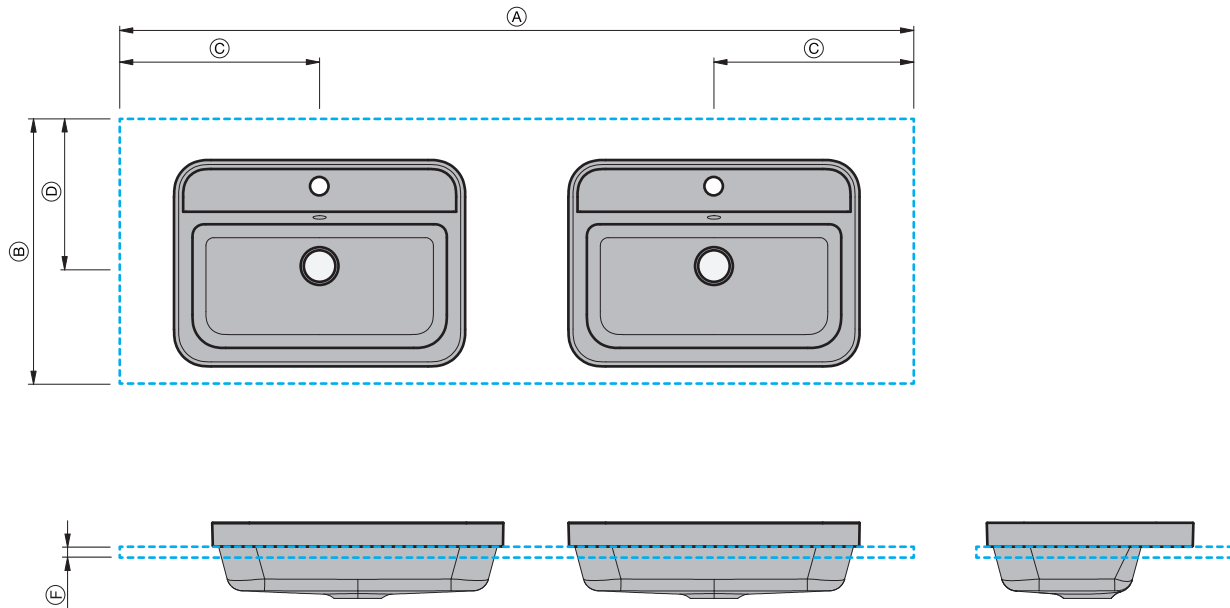
Cabinet range (refer to applicable cabinet data sheet)



| Top Thickness (mm) | Ⓕ | Cherry Pie |
|--------------------|---|------------|
| City | | 20.5 |
| Riva Classic | | 20.5 |
| London | | 60 |

- The top must be sealed to the vanity unit with an acetic cured silicone sealant. Epoxy type sealants must not be used
- Tops can be drilled on site with a standard hole saw

| Product Dimensions (mm) | Ⓐ | Ⓑ | Ⓒ | Ⓓ | Ⓔ |
|--------------------------|------|-----|-------|-----|---|
| City - 1200 - DB | 1200 | 460 | 300 | 235 | - |
| City - 1400 - DB | 1400 | 460 | 350 | 235 | - |
| Riva Classic - 1200 - DB | 1200 | 460 | 300 | 235 | - |
| Riva Classic - 1500 - DB | 1500 | 460 | 375 | 235 | - |
| London - 1500 - DB | 1500 | 510 | 377.5 | 290 | - |



INDICATES TOP SURFACE -----

IMPORTANT NOTE: Throughout this guide, dimensions may vary by ± 2 mm. Please read the installation manual for detailed information on installing the product. St. Michel pursues a policy of continuing improvement in design and manufacturing of its products. The right is therefore reserved to vary specifications without notice. For full installation instructions visit stmichel.co.nz.