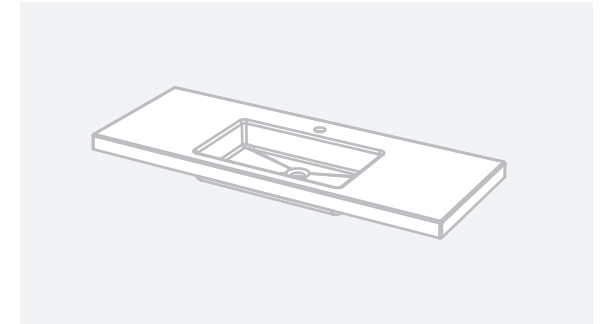


BASIN SPECIFICATION
Sussy - 1200



Cabinet range (refer to applicable cabinet data sheet)



CITY

Product Features

| | |
|------------------------|----------------------------|
| Type of basin | Console Basin |
| Material of basin | Mineral Cast / Cherry Pie® |
| Capacity of basin | 11 litre |
| Overflow Configuration | Overflow not provided |
| Colour options | White Gloss / White Matte |

- The basin must be sealed to the top with an acetic cured silicone sealant.
- Epoxy type sealants must not be used.

INDICATES TOP SURFACE -----

IMPORTANT NOTE: Throughout this guide, dimensions may vary by ± 2 mm. Please read the installation manual for detailed information on installing the product. St. Michel pursues a policy of continuing improvement in design and manufacturing of its products. The right is therefore reserved to vary specifications without notice. For full installation instructions visit stmichel.co.nz.

Date edited:

7 / 08 / 2019

01 / 01

