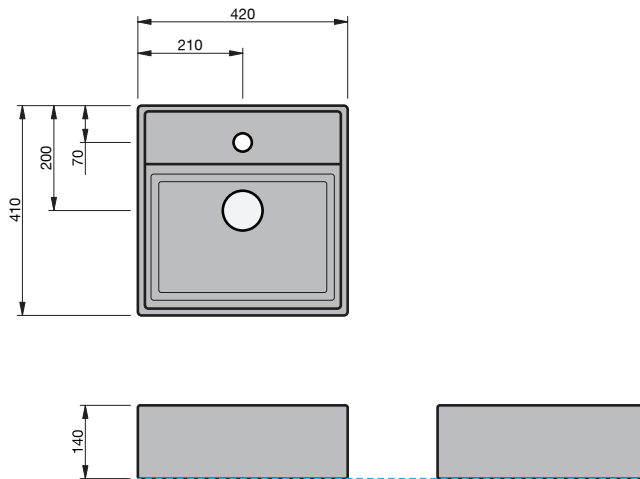


BASIN SPECIFICATION

Teorema 420



Cabinet range (refer to applicable cabinet data sheet)



CITY

RIVA  
CLASSIC

Product Features

Type of basin	Vessel
Material of basin	Ceramic
Capacity of basin	2.5 litre
Overflow Configuration	Overflow provided Max tap flow rate of 15 litres / minute
Colour options	White Gloss

- The basin must be sealed to the top with an acetic cured silicone sealant.
- Epoxy type sealants must not be used.

INDICATES TOP SURFACE -----

IMPORTANT NOTE: Throughout this guide, dimensions may vary by  $\pm 10$ mm. Please read the installation manual for detailed information on installing the product. St. Michel pursues a policy of continuing improvement in design and manufacturing of its products. The right is therefore reserved to vary specifications without notice. For full installation instructions visit [stmichel.co.nz](http://stmichel.co.nz).

Date edited:

18 / 10 / 2019

**TOP SPECIFICATION**  
**Teorema 420**

**Cabinet range** (refer to applicable cabinet data sheet)



CITY

RIVA  
CLASSIC

Top Thickness (mm)	Ⓕ	Cherry Pie		
City		20.5		
Riva Classic		20.5		

- The top must be sealed to the vanity unit with an acetic cured silicone sealant. Epoxy type sealants must not be used
- Tops can be drilled on site with a standard hole saw

Product Dimensions (mm)	Ⓐ	Ⓑ	Ⓒ	Ⓓ	Ⓔ
City - 700	700	460	350	200	-
City - 900	900	460	450	200	-
City - 1200	1200	460	600	200	-
Riva Classic - 750	750	460	375	200	-
Riva Classic - 900	900	460	450	200	-
Riva Classic - 900 - LH	900	460	340	200	-
Riva Classic - 900 - RH	900	460	560	200	-
Riva Classic - 1200	1200	460	600	200	-
Riva Classic - 1500	1500	460	750	200	-

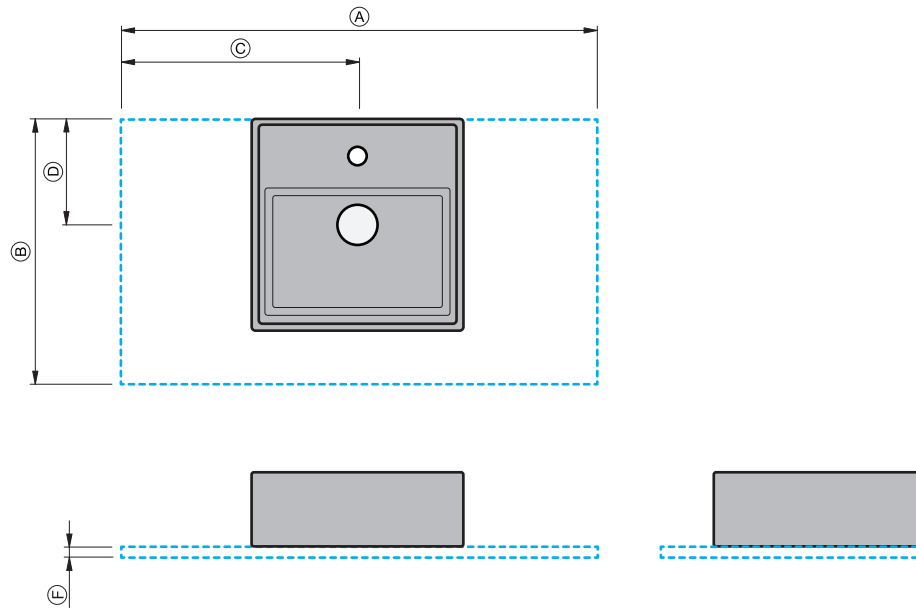
INDICATES TOP SURFACE -----

IMPORTANT NOTE: Throughout this guide, dimensions may vary by  $\pm 2$ mm. Please read the installation manual for detailed information on installing the product. St. Michel pursues a policy of continuing improvement in design and manufacturing of its products. The right is therefore reserved to vary specifications without notice. For full installation instructions visit [stmichel.co.nz](http://stmichel.co.nz).

Date edited:

18 / 10 / 2019

02 / 03



TOP SPECIFICATION  
Teorema 420

Cabinet range (refer to applicable cabinet data sheet)



CITY

RIVA  
CLASSIC

Top Thickness (mm)	(F)	Cherry Pie
City		20.5
Riva Classic		20.5

- The top must be sealed to the vanity unit with an acetic cured silicone sealant. Epoxy type sealants must not be used
- Tops can be drilled on site with a standard hole saw

Product Dimensions (mm)	(A)	(B)	(C)	(D)	(E)
City - 1200 - DB	1200	460	300	200	-
City - 1400 - DB	1400	460	350	200	-
Riva Classic - 1200 - DB	1200	460	300	200	-
Riva Classic - 1500 - DB	1500	460	375	200	-

INDICATES TOP SURFACE -----

IMPORTANT NOTE: Throughout this guide, dimensions may vary by  $\pm 2$ mm. Please read the installation manual for detailed information on installing the product. St. Michel pursues a policy of continuing improvement in design and manufacturing of its products. The right is therefore reserved to vary specifications without notice. For full installation instructions visit [stmichel.co.nz](http://stmichel.co.nz).

Date edited:

18 / 10 / 2019

03 / 03

