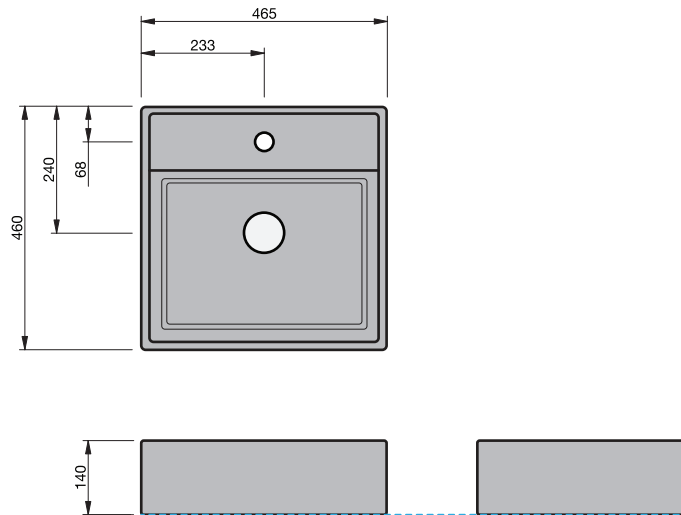
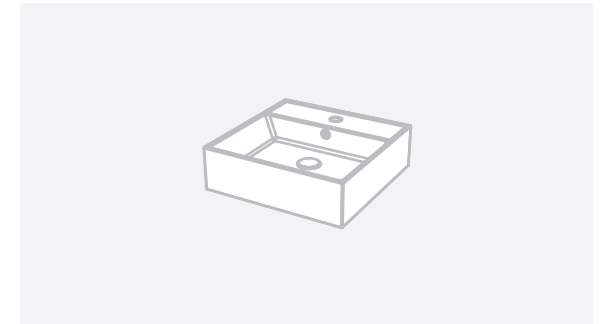


BASIN SPECIFICATION

Teorema 460



Cabinet range (refer to applicable cabinet data sheet)



CITY

RIVA
CLASSIC

Product Features

Type of basin	Vessel
Material of basin	Ceramic
Capacity of basin	3.5 litre
Overflow Configuration	Overflow provided Max tap flow rate of 15 litres / minute
Colour options	White Gloss

- The basin must be sealed to the top with an acetic cured silicone sealant.
- Epoxy type sealants must not be used.

INDICATES TOP SURFACE -----

IMPORTANT NOTE: Throughout this guide, dimensions may vary by ± 10 mm. Please read the installation manual for detailed information on installing the product. St. Michel pursues a policy of continuing improvement in design and manufacturing of its products. The right is therefore reserved to vary specifications without notice. For full installation instructions visit stmichel.co.nz.

Date edited:

18 / 10 / 2019

01 / 03

TOP SPECIFICATION
Teorema 460

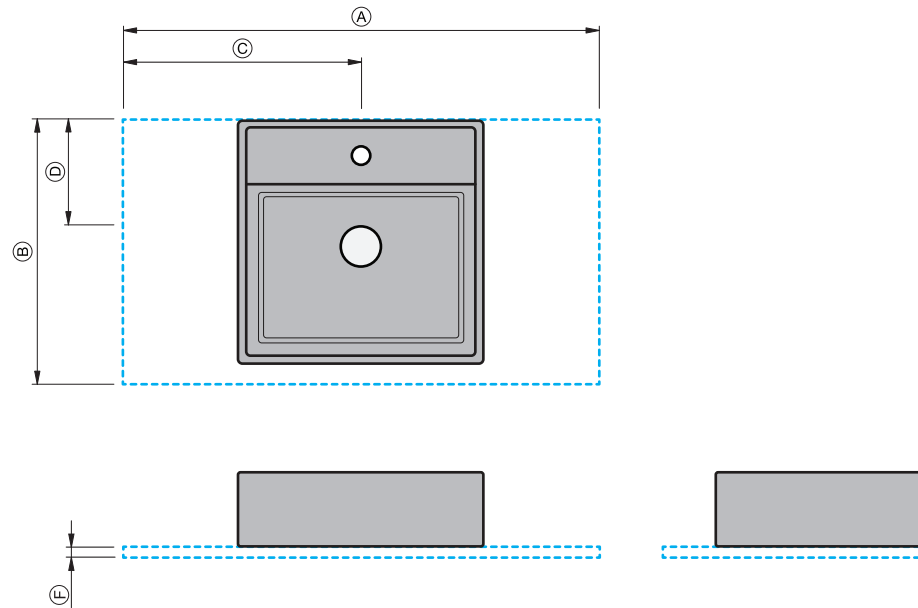
Cabinet range (refer to applicable cabinet data sheet)



Top Thickness (mm)	F	Cherry Pie
City		20.5
Riva Classic		20.5

- The top must be sealed to the vanity unit with an acetic cured silicone sealant. Epoxy type sealants must not be used
- Tops can be drilled on site with a standard hole saw

Product Dimensions (mm)	A	B	C	D	E
City - 700	700	460	350	240	-
City - 900	900	460	450	240	-
City - 1200	1200	460	600	240	-
Riva Classic - 750	750	460	375	240	-
Riva Classic - 900	900	460	450	240	-
Riva Classic - 900 - LH	900	460	340	240	-
Riva Classic - 900 - RH	900	460	560	240	-
Riva Classic - 1200	1200	460	600	240	-
Riva Classic - 1500	1500	460	750	240	-



INDICATES TOP SURFACE -----

IMPORTANT NOTE: Throughout this guide, dimensions may vary by ± 2 mm. Please read the installation manual for detailed information on installing the product. St. Michel pursues a policy of continuing improvement in design and manufacturing of its products. The right is therefore reserved to vary specifications without notice. For full installation instructions visit stmichel.co.nz.

TOP SPECIFICATION
Teorema 460

Cabinet range (refer to applicable cabinet data sheet)



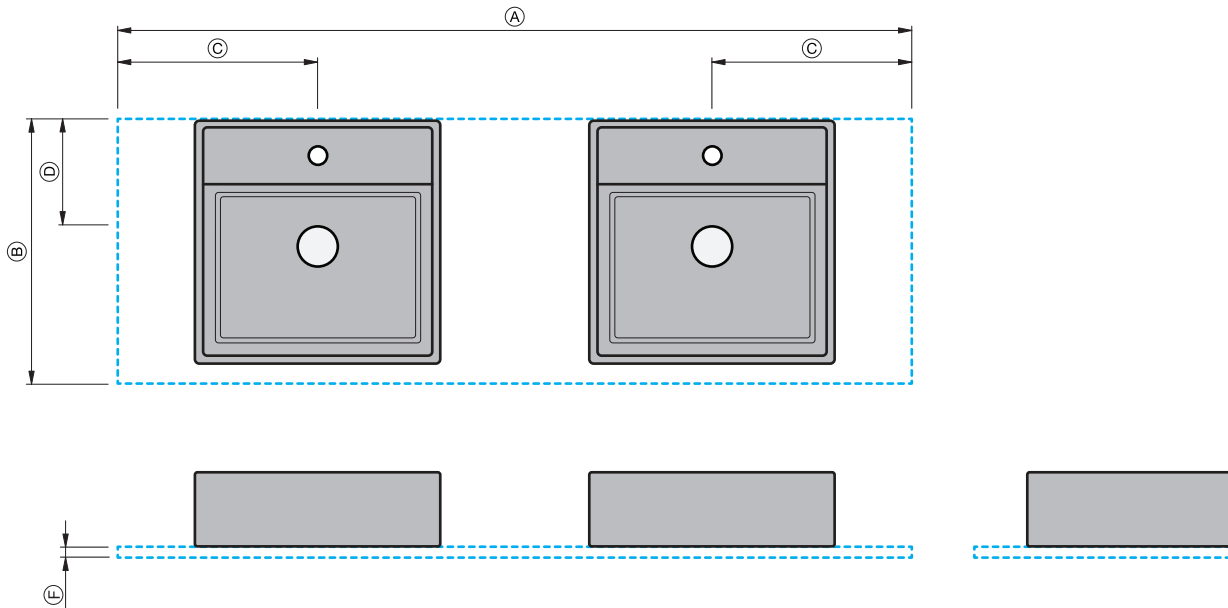
CITY

RIVA
CLASSIC

Top Thickness (mm)	Ⓕ	Cherry Pie
City		20.5
Riva Classic		20.5

- The top must be sealed to the vanity unit with an acetic cured silicone sealant. Epoxy type sealants must not be used
- Tops can be drilled on site with a standard hole saw
- For wall mounted taps we recommend using a 200mm wall mixer

Product Dimensions (mm)	Ⓐ	Ⓑ	Ⓒ	Ⓓ	Ⓔ
City - 1200 - DB	1200	460	300	240	-
City - 1400 - DB	1400	460	350	240	-
Riva Classic - 1200 - DB	1200	460	300	240	-
Riva Classic - 1500 - DB	1500	460	375	240	-



INDICATES TOP SURFACE -----

IMPORTANT NOTE: Throughout this guide, dimensions may vary by ± 2 mm. Please read the installation manual for detailed information on installing the product. St. Michel pursues a policy of continuing improvement in design and manufacturing of its products. The right is therefore reserved to vary specifications without notice. For full installation instructions visit stmichel.co.nz.