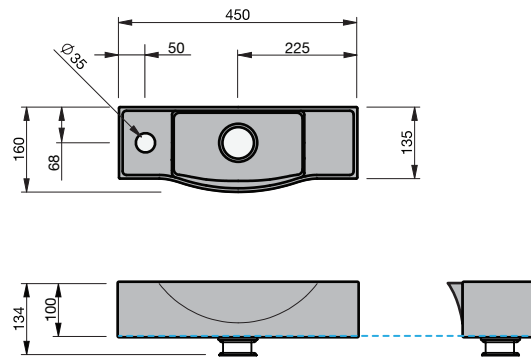


BASIN SPECIFICATION
Halo - 450 - LH



Cabinet range (refer to applicable cabinet data sheet)



SWING

Product Features

Type of basin	Console basin
Material of basin	Mineral Cast
Capacity of basin	1.0 litre
Overflow Configuration	Overflow supplied
Colour options	White Gloss

- The basin must be sealed to the top with an acetic cured silicone sealant.
- Epoxy type sealants must not be used.

INDICATES TOP SURFACE -----

IMPORTANT NOTE: Throughout this guide, dimensions may vary by ± 2 mm. Please read the installation manual for detailed information on installing the product. St. Michel pursues a policy of continuing improvement in design and manufacturing of its products. The right is therefore reserved to vary specifications without notice. For full installation instructions visit stmichel.co.nz.

Date edited:

7 / 08 / 2019

01 / 01