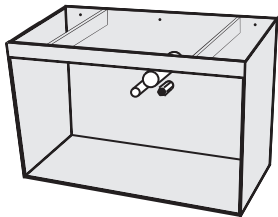
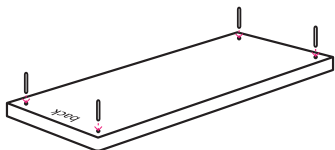


- 1 Install cabinet onto wall as per Installation Guide Booklet supplied with your cabinet

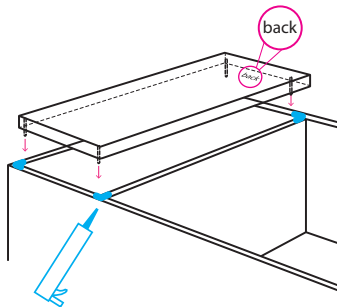


- 2 Knock supplied timber dowels into holes on the bottom of the Cherry Pie components



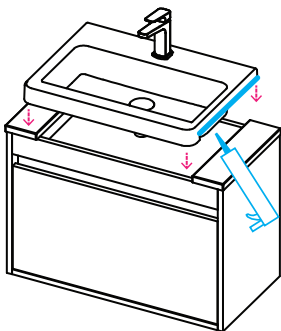
Note: 4x dowels per Cherry Pie piece supplied

- 3 Fit Cherry Pie top to cabinet with adhesive. Dowels locate inbetween the sides and the divider



Check that the word 'back' is facing down & toward the back of the cabinet

- 4 Place basin into gap. Using adhesive, secure basin to cherry pie top along the left and right under side of the basin



Seal to finish as per the Installation Guide Booklet