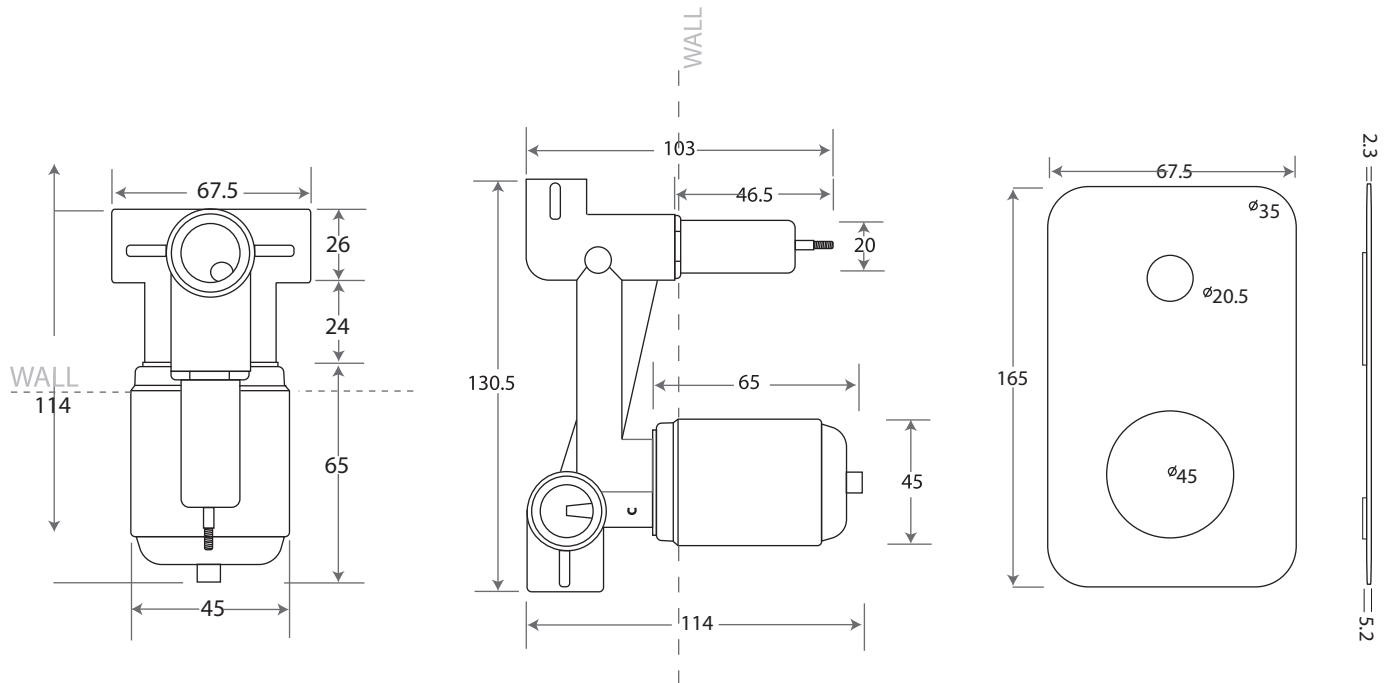


SPECIFICATIONS

COSMOPOLITAN WALL DIVERTER

Part A



Part B

