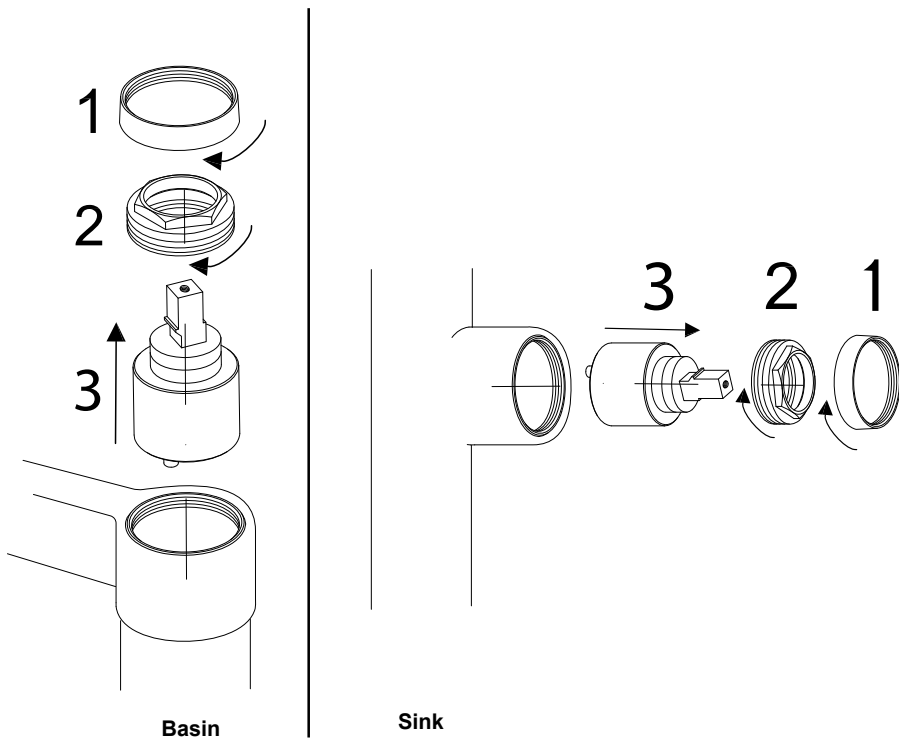
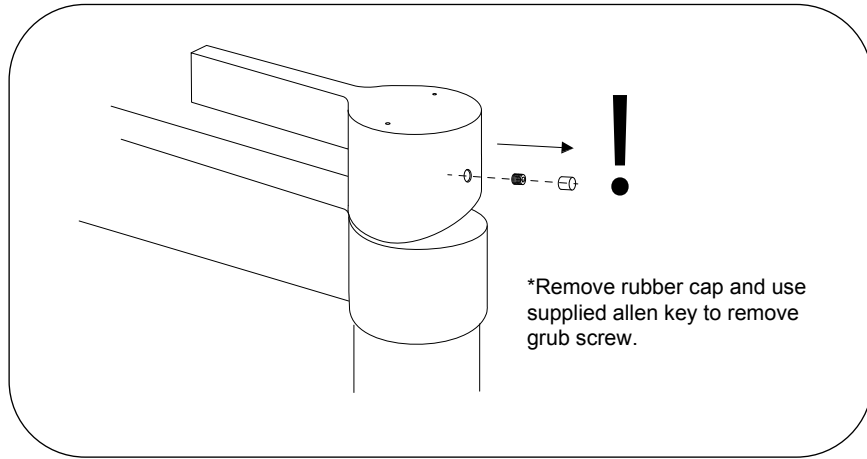




P.O. Box 1455  
237 Berkeley Rd  
UNANDERRA, NSW  
2526 Australia  
Tel: +61 2 4271 2444  
[info@blueaustralia.com.au](mailto:info@blueaustralia.com.au)  
Jamie.J Tapware & Accessories, a division of  
**Architectural Designer Products**



BASIN / SINK MIXER REPLACEMENT CARTRIDGE



\*We recommend the installation of the pressure valves/isolating taps where the high pressure is present. Isolating taps must be used with all basin mixers.

Our products come with guarantees that cannot be excluded under the Australian Consumer Law. You are entitled to a replacement or refund for a major failure upon inspection by an authorised representative where a product is found to be defective in construction, material or assembly. You are also entitled to have the goods repaired or replaced if the goods fail to be of acceptable quality and the failure does not amount to a major failure, free of charge.

**CONDITIONS:** 1. Items installed by a licensed plumber, 2. Failure is due to a fault in the manufacture of the product, 3. Proof of purchase is provided, 4. The installation of the product is in accordance with the instructions provided.

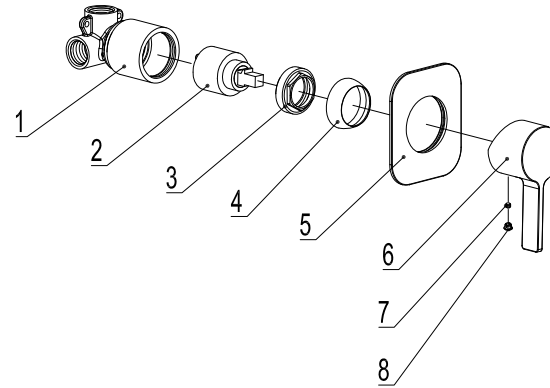
**EXCLUSIONS:** To the fullest extent permitted by law, the manufacturer excludes all liability for damage or injury to any person, damage to any property and any indirect consequential or other loss or damage.

Manufacturer will not be liable for the cost of installation or removal of any product and the warranty will be VOIDED if damage occurred during or after INSTALLATION or a damaged or incorrect unit has been installed. Unsuitable or improper use; incorrect installation or installation not in accordance with the instructions provided; Installation or part installation by the purchaser or any person other than a LICENSED plumber; Normal wear and tear; Inadequate or complete lack of maintenance; chemical, electrochemical or electrical influences; excessive heat damage or Harsh detergents or abrasive cleaners used on product finishes, are NOT considered a warranty issue.

**CLAIM PROCEDURE:** For all warranty queries customers are to contact the branch where the product was purchased. These details can be found on your purchase invoice.

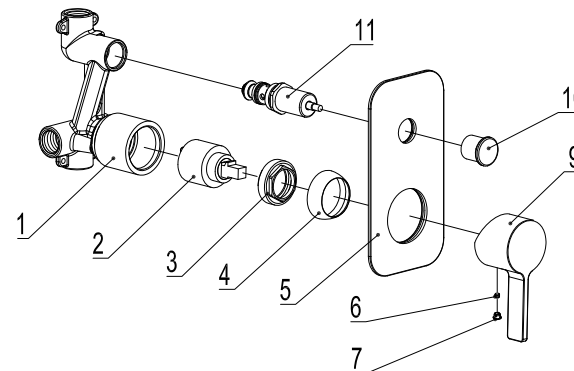
## EXPLODED

Single lever concealed shower valve - internal body  
100107937



	Finished	CODE
1	-	100108400
2	-	100048506
3	-	100108411
4	-	100114972

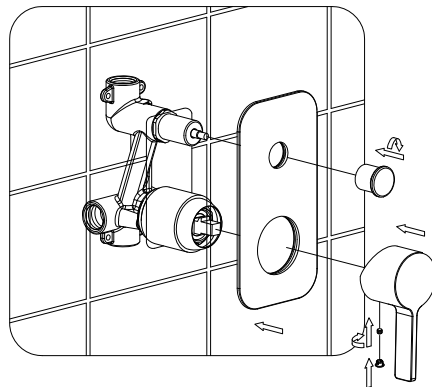
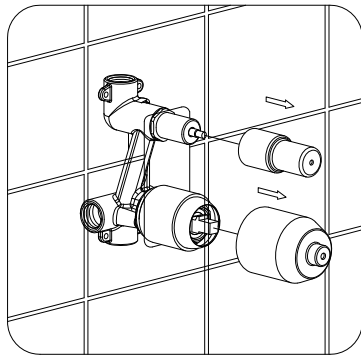
Single lever concealed shower valve with diverter - internal body  
100107958



	Finished	CODE
1	-	100108400
2	-	100048506
3	-	100108411
4	chrome	100108395
5	-	100114972
6	-	100114973

- Please read these instructions carefully before starting installation and retain it for future reference. Please leave these instructions with the end user.
- Remove all packaging and check the product for missing parts and damages before starting the installation.
- Any alterations made to this product and its fittings may infringe the water regulations and will invalidate the guarantee.
- We strongly recommend the use of a qualified and registered plumber.
- In new buildings it is recommended to water fill the traps to ensure toxic gases do not corrode the surface of the taps. It is recommended that the room is well ventilated.
- Thoroughly flush through all pipe work prior to the installation of terminal appliances, e.g. Shower heads, taps, inlet valves, etc.
- Periodic cleaning and maintenance should be used to avoid the build up of damaging limestone deposits.
- Bathroom beauty products such as liquid soap, shampoo or shower gels may damage some materials.

### Easy Installation



**Jamie. J** guarantees all its chrome plated ranges of mixers and taps for a period of 7 years from the date of purchase against defect of work or materials, except for the electronic parts and the internal components such as ceramic cartridges, headworks and thermostatic cartridges which are guaranteed for a period of 15 year.

In the unlikely event the product fails within the guarantee period, **Jamie.J** offers a free replacement part (or nearest equivalent), if proved to **Jamie.J** satisfaction that the defect has been caused before delivery. Full details of any defect need to be notified immediately.

The guarantee does not cover transport damages and is only offered on all products that have been used for their normal purpose. The guarantee does not apply to any products that have been misused or abused in any way.

Liability is limited to individual products and does not cover consequential loss or damage on installations.

The guarantee does not cover general wear and tear.

The guarantee is only offered when products are installed and cared for in line with our fitting and maintenance instructions.

## MAINTENANCE

### BRASSWARE AND ACCESSORIES

First of all we thank you for buying our products which are manufactured to the highest standards. However in common with other products our brassware requires the correct cleaning and periodic maintenance.

### BRASSWARE SURFACES

The materials used to plate brassware are Chrome, Nickel, stainless steel, brass and others to leave a superior, easy to clean, pleasing finish. Before cleaning please check the material used and only use a suitable cleaner.

### CLEANING

To clean brassware and accessories please note the following recommendations.

- For regular cleaning only use warm soapy water, if this is not possible use soft non abrasive gels or similar cleaning products, rinse thoroughly and polish with a soft cloth.
- Please avoid the use of harsh or abrasive products such as scouring powders, those products with phosphoric acid, hydrochloric acid, formic acid or acetic acid that could badly damage the product. Please only use PH neutral products.
- Dry the items after each cleaning session and after every use to avoid limestone appearance.

### WARNING

- Do not mix cleaning products, the chemical reactions can emit toxic fumes and react badly with product surfaces.
- Do not use harsh or abrasive cloths, pads or cleaning products.
- Do not use bleach or other chlorine based cleaning products.
- Only use suitable cleaning products as recommended for each product the cleaning of products will only make the surface worse if they are already damaged.

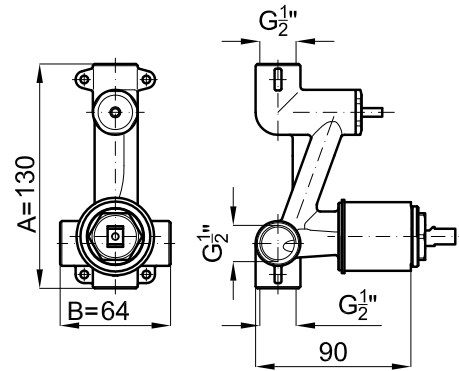
### RECOMENDATIONS FOR THE CLEANING AND PRESERVATION OF BRASSWARE AND ACCESSORIES

- Read the manufacturers instructions.
- To protect the brassware, internal mechanism and to extend the life of the product it is recommended in line with "best practice" to install isolation valves and in line filters.
- Regular cleaning to reduce lime scale and soap residue build up.
- Do not leave these products in contact with the product surface longer than the manufacturer's recommendations and rinse thoroughly with clean water.
- Do not spray cleaning products directly onto the product surface, spray onto a soft cloth and then apply to the product. Spraying directly onto the product can lead to cleaning fluids being drawn into the products through capillary action causing irreversible damage.
- If a tap is left dripping it may lead to staining and lime scale build up. Please ensure taps are correctly turned off after use.

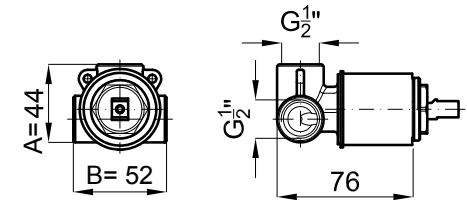
### GUARANTEE CLAUSE

- Failure to comply with the maintenance instructions may invalidate the guarantee.

## DIMENSIONS

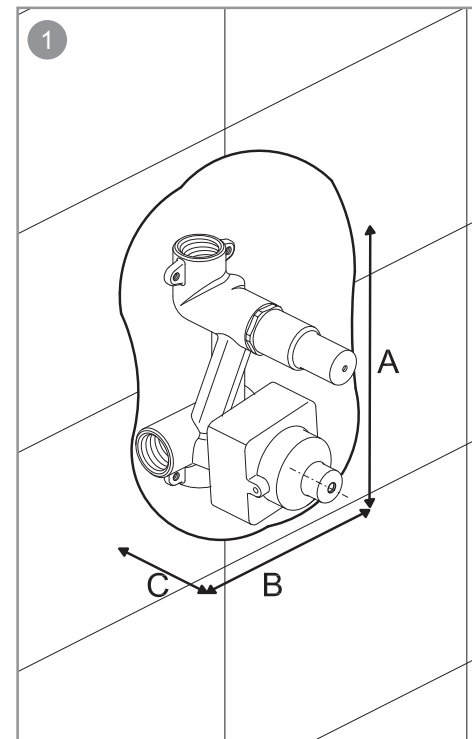


100107958



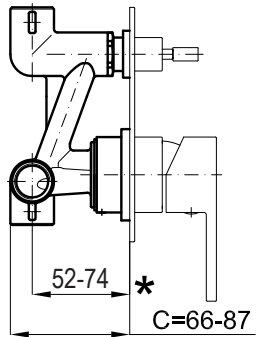
100107937

## INSTALLATION



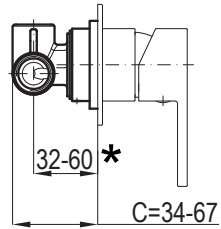
Prepare the wall for the internal body installation as it shows on the drawing A, B and C. Install the internal body part with the attached protection inside the wall. Connect the supply lines (hot to the left and cold to the right). Leave the protective covers until the external parts are going to be installed.

100107958



For external parts of Mini-Plus (100108173) and Bela (100108183) the ranges are 52-74 \* and C=66-87

100107937



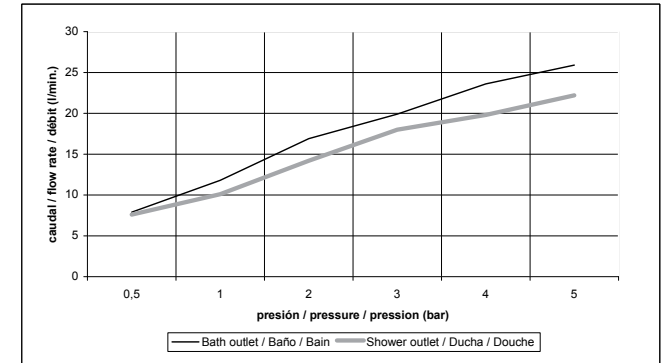
For external parts of Mini-Plus (100108152) and Bela (100108186) the ranges are 32-60 \* and C=34-67

Working pressure	0,5 - 5 bar	
Optimal pressure	3 bar*	
Maximum pressure	5 bar	
Max. temperature	70°C	
Mixing system	cartridge with ceramic disk	
Material	Brass	
Coating	chrome	≥ 0,25 µm
	nickel	≥ 10 µm

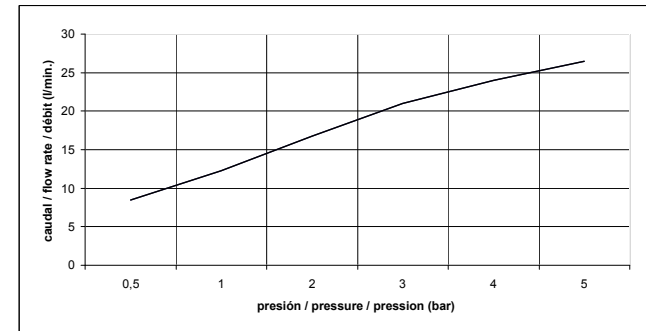
**\*We recommend the installation of the pressure valves/isolating taps where the high pressure is present. Isolating taps must be used with all basin mixers.**

Flow rate curves

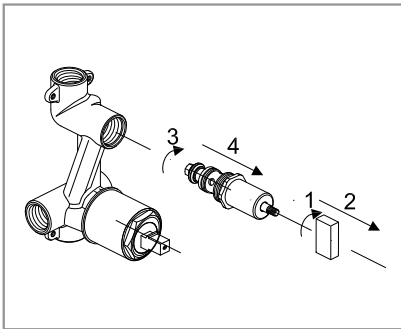
100107958		
pressure (bar)	flow rate (l/min.)	
	Shower outlet	Bath outlet
0,5	7,6	7,9
1	10,1	11,8
2	14,2	16,9
3	18	19,9
4	19,8	23,6
5	22,2	25,9



100107937	
pressure / (bar)	flow rate (l/min.)
0,5	8,5
1	12,3
2	16,8
3	21
4	24
5	26,5

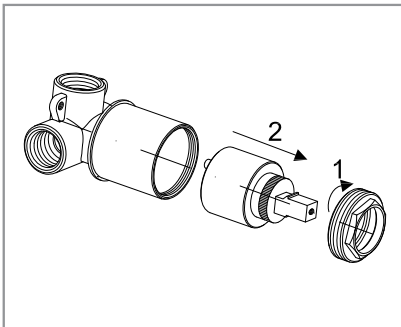


**Replacement of the diverter**



Unscrew the diverter and take out all components of the diverter.

**Replacement of the cartridge**



Unscrew the trim and nut. Remove the cartridge.