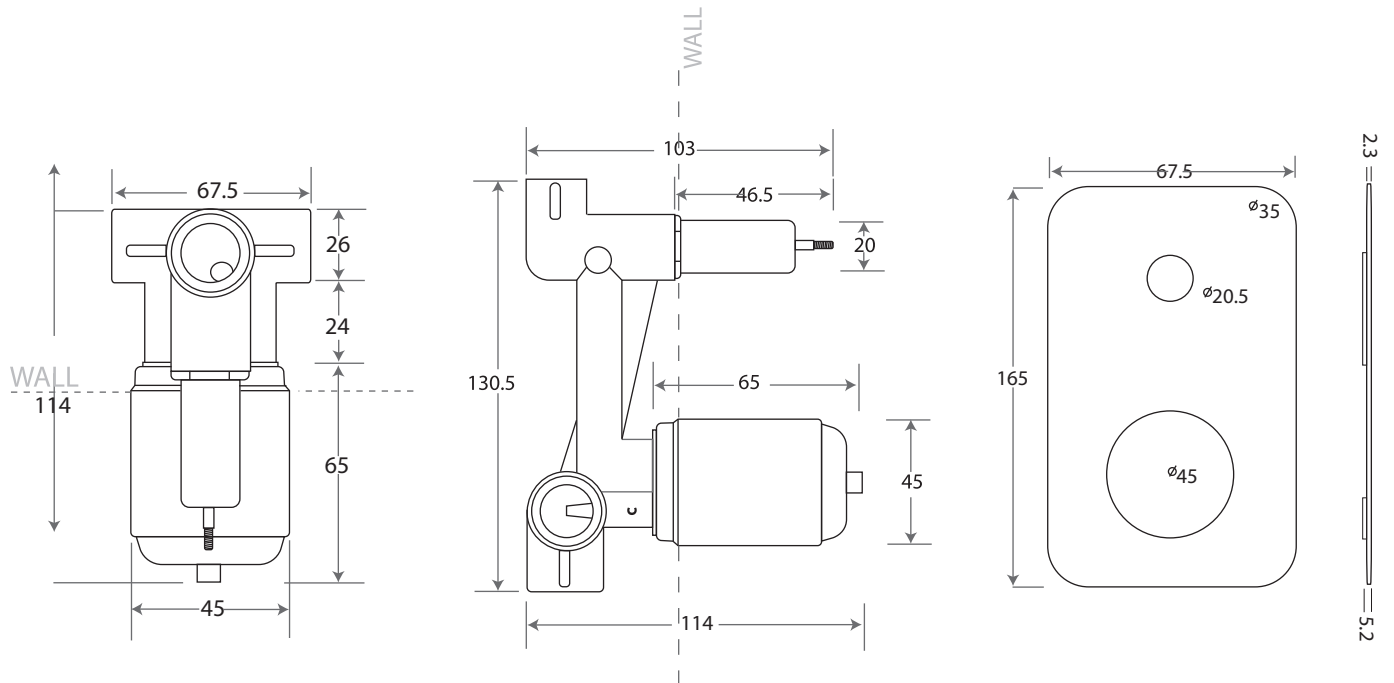


SPECIFICATIONS

MARTINI WALL DIVERTER

Part A



Part B

