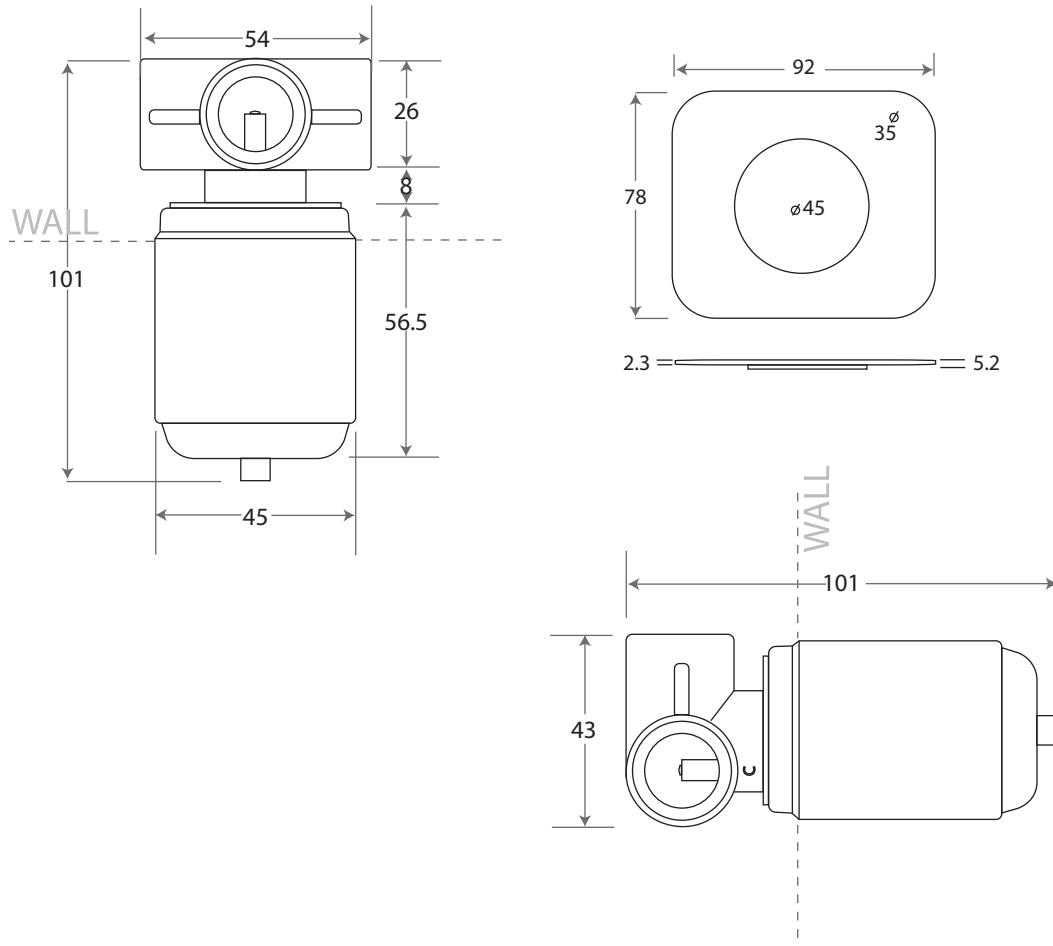


# SPECIFICATIONS

## MARTINI WALL MIXER

### Part A



### Part B

