

Cabinet range (refer to applicable cabinet specifications)



CITY 40

Product Features

Type of basin	Inset
Material of basin	Cherry Pie®, Mineral Cast
Capacity of basin	8 litre
Overflow Configuration	Overflow not provided
Colour options	White Matte, White Gloss

- The basin must be sealed to the top with an acetic cured silicone sealant.
- Epoxy type sealants must not be used.

INDICATES TOP SURFACE -----

IMPORTANT NOTE: Throughout this guide, dimensions may vary by ± 2 mm. Please read the installation manual for detailed information on installing the product. St. Michel pursues a policy of continuing improvement in design and manufacturing of its products. The right is therefore reserved to vary specifications without notice. For full installation instructions visit stmichel.co.nz.

TOP SPECIFICATION
Integrity

Cabinet range (refer to applicable cabinet specifications)



CITY 40

Top Thickness (mm)	F	Cherry Pie
City 40		20.5

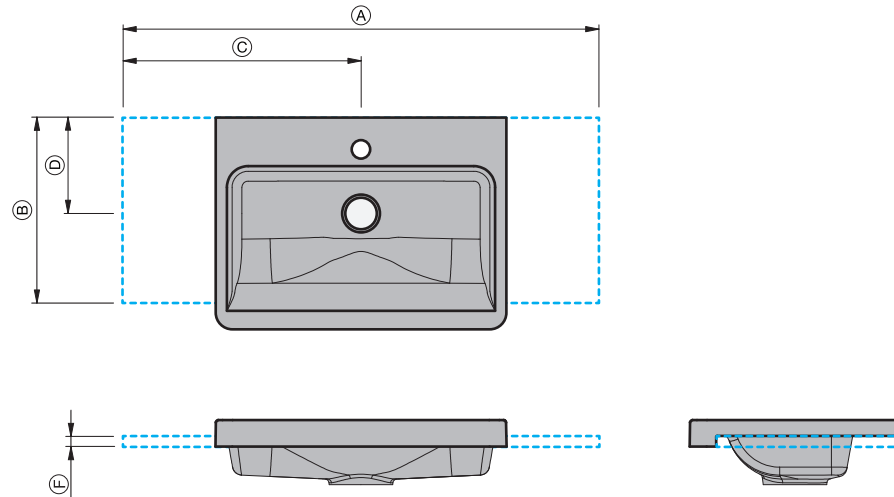
- The top must be sealed to the vanity unit with an acetic cured silicone sealant. Epoxy type sealants must not be used
- Tops can be drilled on site with a standard hole saw

Product Dimensions (mm)	A	B	C	D	E
City 40 - 700	700	350	350	181	-
City 40 - 900	900	350	450	181	-
City 40 - 1200	1200	350	600	181	-
City 40 - 1400 - LH	1400	350	350	181	-
City 40 - 1400 - RH	1400	350	1050	181	-
City 40 - 1600 - LH	1600	350	400	181	-
City 40 - 1600 - RH	1600	350	1200	181	-

INDICATES TOP SURFACE -----

IMPORTANT NOTE: Throughout this guide, dimensions may vary by ± 2mm. Please read the installation manual for detailed information on installing the product. St. Michel pursues a policy of continuing improvement in design and manufacturing of its products. The right is therefore reserved to vary specifications without notice. For full installation instructions visit stmichel.co.nz.

Date edited: 20 / 03 / 2020



TOP SPECIFICATION
Integrity

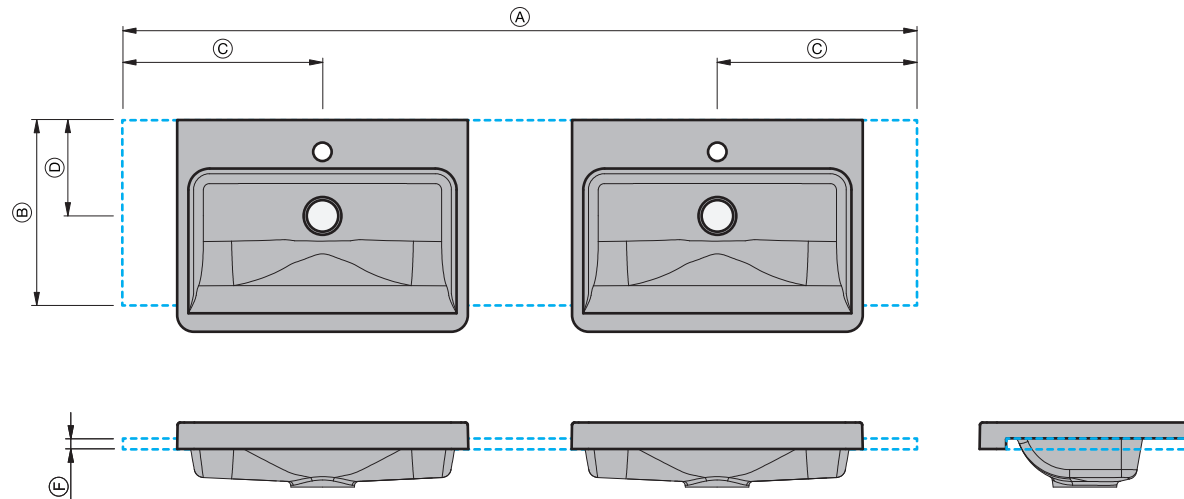
Cabinet range (refer to applicable cabinet specifications)



CITY 40

Top Thickness (mm) (F) Cherry Pie

City 40 20.5



- The top must be sealed to the vanity unit with an acetic cured silicone sealant. Epoxy type sealants must not be used
- Tops can be drilled on site with a standard hole saw

Product Dimensions (mm)	A	B	C	D	E
City 40 - 1400 - DB	1400	350	350	181	-
City 40 - 1600 - DB	1600	350	400	181	-

INDICATES TOP SURFACE -----

IMPORTANT NOTE: Throughout this guide, dimensions may vary by ± 2 mm. Please read the installation manual for detailed information on installing the product. St. Michel pursues a policy of continuing improvement in design and manufacturing of its products. The right is therefore reserved to vary specifications without notice. For full installation instructions visit stmichel.co.nz.

Date edited:

20 / 03 / 2020

03 / 03