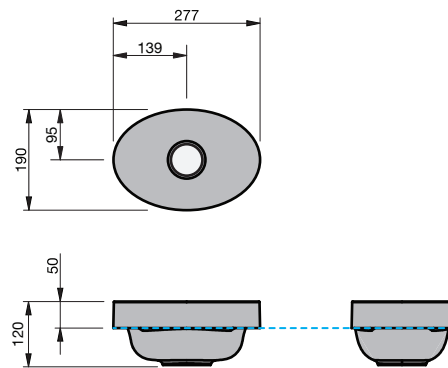


BASIN SPECIFICATION

Joy



Cabinet range (refer to applicable cabinet specifications)



Product Features

Type of basin	Inset
Material of basin	Cherry Pie®, Mineral Cast
Capacity of basin	2.5 litre
Overflow Configuration	Overflow not provided
Colour options	White Matte, White Gloss

- The basin must be sealed to the top with an acetic cured silicone sealant.
- Epoxy type sealants must not be used.

INDICATES TOP SURFACE -----

IMPORTANT NOTE: Throughout this guide, dimensions may vary by ± 2 mm. Please read the installation manual for detailed information on installing the product. St. Michel pursues a policy of continuing improvement in design and manufacturing of its products. The right is therefore reserved to vary specifications without notice. For full installation instructions visit stmichel.co.nz.

TOP SPECIFICATION

Joy

Cabinet range (refer to applicable cabinet specifications)



LONDON MINI-B CITY 22

Top Thickness (mm)	ⓕ	Cherry Pie	HPL
London		20.5	
Mini B		20.5	
City 22		20.5	17.5

- The top must be sealed to the vanity unit with an acetic cured silicone sealant. Epoxy type sealants must not be used
- Tops can be drilled on site with a standard hole saw
- For wall mounted taps we recommend using a 200mm wall mixer

Product Dimensions (mm)	Ⓐ	Ⓑ	Ⓒ	Ⓓ	Ⓔ
London - 400	400	220	110	225	55
London - 550	550	220	110	225	55
London - 800	800	220	110	225	55
Mini B - 400	400	220	110	225	55
Mini B - 550	550	220	110	225	55
Mini B - 800	800	220	110	225	55
City 22 - 400	400	220	110	225	55
City 22 - 550	550	220	110	225	55
City 22 - 800	800	220	110	225	55

INDICATES TOP SURFACE -----

IMPORTANT NOTE: Throughout this guide, dimensions may vary by ± 2 mm. Please read the installation manual for detailed information on installing the product. St. Michel pursues a policy of continuing improvement in design and manufacturing of its products. The right is therefore reserved to vary specifications without notice. For full installation instructions visit stmichel.co.nz.

Date edited:

20 / 03 / 2020

02 / 02

