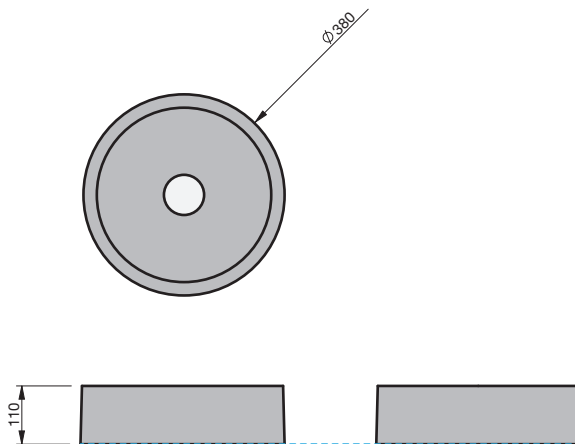


BASIN SPECIFICATION

smartB 7405



Cabinet range (refer to applicable cabinet specifications & top specifications)



CITY 46

CITY 50

Product Features

Type of basin	Vessel
Material of basin	Ceramic
Capacity of basin	7.0 litre
Overflow Configuration	No Overflow
Colour options	White Gloss, Dusky Black Matte

- The basin must be sealed to the top with an acetic cured silicone sealant.
- Epoxy type sealants must not be used.

INDICATES TOP SURFACE -----

IMPORTANT NOTE: Throughout this guide, dimensions may vary by ± 2 mm. Please read the installation manual for detailed information on installing the product. St. Michel pursues a policy of continuing improvement in design and manufacturing of its products. The right is therefore reserved to vary specifications without notice. For full installation instructions visit stmichel.co.nz.

Date edited:

20 / 03 / 2020

01 / 03

TOP SPECIFICATION
smartB 7405

Cabinet range (refer to applicable cabinet specifications)

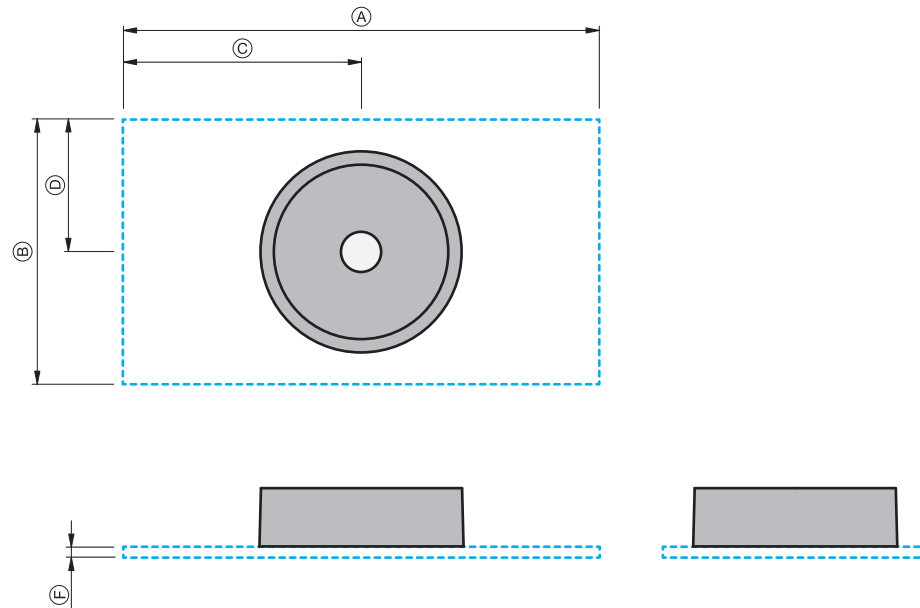


CITY 46

Top Thickness (mm)	F	Cherry Pie	HPL
City 46		20.5	17.5

- The top must be sealed to the vanity unit with an acetic cured silicone sealant. Epoxy type sealants must not be used
- Tops can be drilled on site with a standard hole saw
- For wall mounted taps we recommend using a 200mm wall mixer

Product Dimensions (mm)	A	B	C	D	E
City 46 - 700	700	460	350	-	-
City 46 - 700 (wall mounted tap)	700	460	350	230	-
City 46 - 900	900	460	450	-	-
City 46 - 900 (wall mounted tap)	900	460	450	230	-
City 46 - 1200	1200	460	600	-	-
City 46 - 1200 (wall mounted tap)	1200	460	600	230	-



INDICATES TOP SURFACE -----

IMPORTANT NOTE: Throughout this guide, dimensions may vary by ± 2 mm. Please read the installation manual for detailed information on installing the product. St. Michel pursues a policy of continuing improvement in design and manufacturing of its products. The right is therefore reserved to vary specifications without notice. For full installation instructions visit stmichel.co.nz.

TOP SPECIFICATION
smartB 7405

Cabinet range (refer to applicable cabinet specifications)



CITY 46

Top Thickness (mm)	F	Cherry Pie	HPL
City 46		20.5	17.5

- The top must be sealed to the vanity unit with an acetic cured silicone sealant. Epoxy type sealants must not be used
- Tops can be drilled on site with a standard hole saw
- For wall mounted taps we recommend using a 200mm wall mixer

Product Dimensions (mm)	A	B	C	D	E
City 46 - 1200 DB	1200	460	300	-	-
City 46 - 1200 DB (wall mounted tap)	1200	460	300	230	-
City 46 - 1400 DB	1400	460	350	-	-
City 46 - 1400 DB (wall mounted tap)	1400	460	350	230	-

INDICATES TOP SURFACE -----

IMPORTANT NOTE: Throughout this guide, dimensions may vary by ± 2mm. Please read the installation manual for detailed information on installing the product. St. Michel pursues a policy of continuing improvement in design and manufacturing of its products. The right is therefore reserved to vary specifications without notice. For full installation instructions visit stmichel.co.nz.

Date edited: 20 / 03 / 2020

