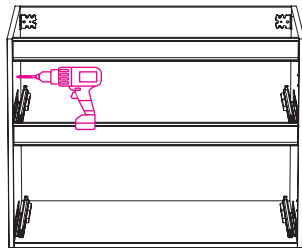
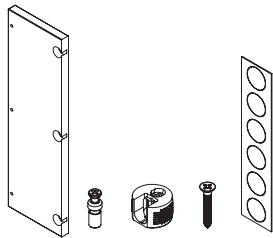


st.michel

Spacer Kit Fixings & Instructions

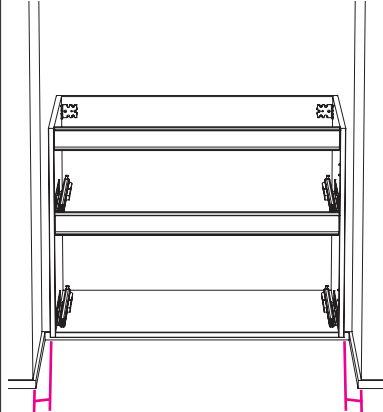


- 1** Pre-drill carcass side for spacer fixing 50mm from front of carcass. 3 holes per spacer recommended.

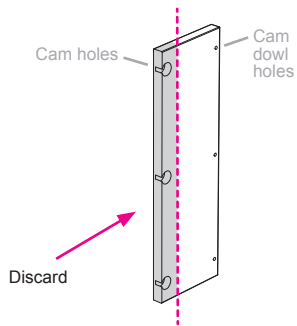


● ● Spacer

- 2** Choose your front facing spacer. Only applies when a blend is specified.

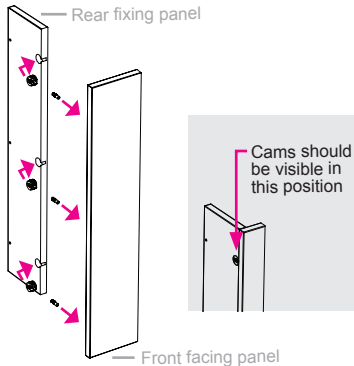


- 3** Measure gap to determine spacer width. 2 spacers = wall to wall. 1 Spacer = into corner



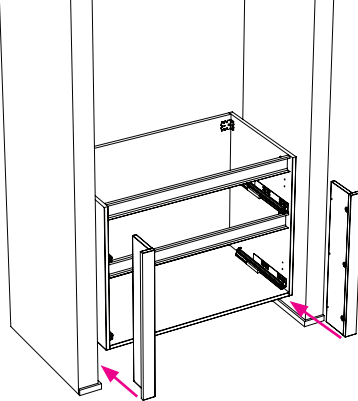
Trim your front facing spacer to fill gap. Cut away cam holes, leave cam dowl holes to connect to rear fixing panel. Note: Adjust trim angle to match any walls out of plumb.

4



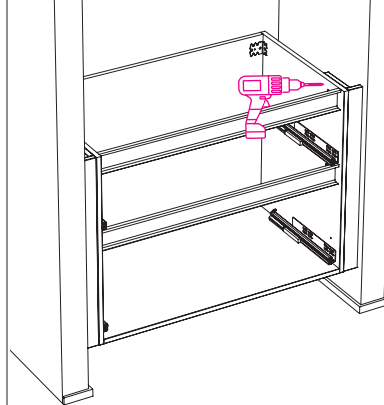
Screw cam dows into trimmed outward facing panel. Knock cams into rear fixing panel + assemble.

5



6

Fit spacers into gap.



7

Secure your spacers - screws provided.