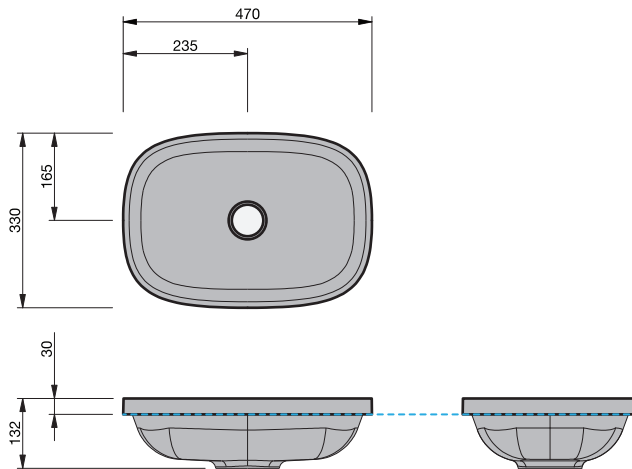
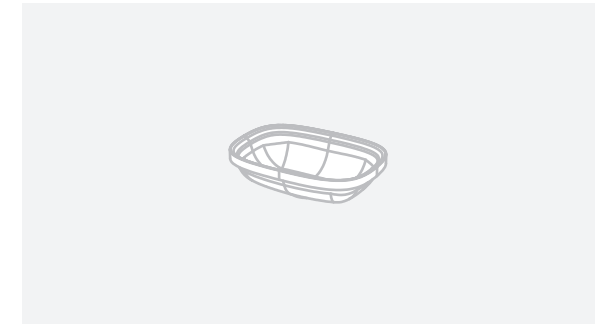


BASIN SPECIFICATION

Mecca



Cabinet range (refer to applicable cabinet specifications)



RIVA
CLASSIC

CITY 46

Product Features

Type of basin	Inset
Material of basin	Mineral Cast
Capacity of basin	8 litre
Overflow Configuration	Overflow not provided
Colour options	White Gloss

- The basin must be sealed to the top with an acetic cured silicone sealant.
- Epoxy type sealants must not be used.

INDICATES TOP SURFACE -----

IMPORTANT NOTE: Throughout this guide, dimensions may vary by ± 2 mm. Please read the installation manual for detailed information on installing the product. St. Michel pursues a policy of continuing improvement in design and manufacturing of its products. The right is therefore reserved to vary specifications without notice. For full installation instructions visit stmichel.co.nz.

Date edited:

20 / 03 / 2020

01 / 04

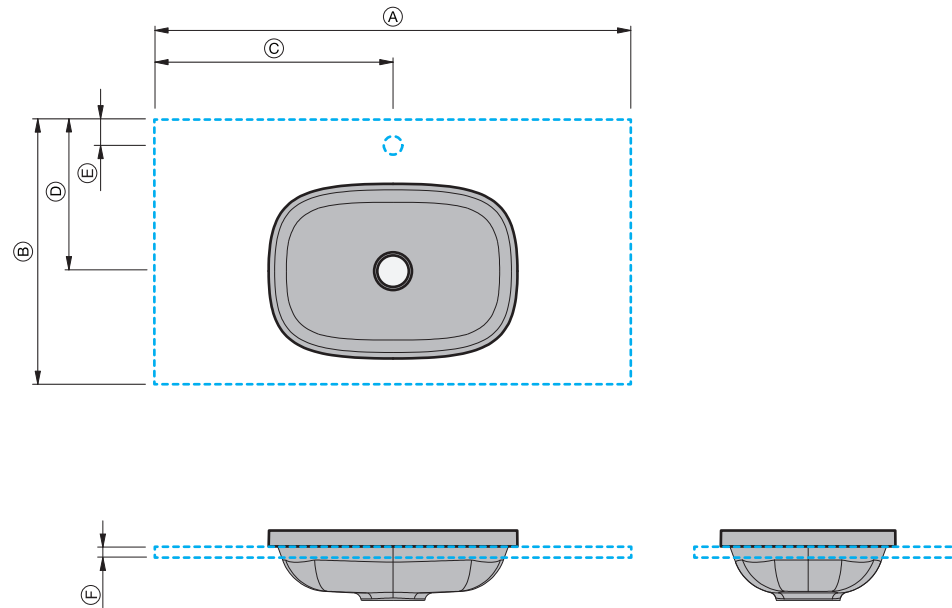
TOP SPECIFICATION
Mecca

Cabinet range (refer to applicable cabinet specifications)



RIVA CLASSIC **CITY 46**

Top Thickness (mm)	Ⓕ	Cherry Pie	HPL
City 46		20.5	17.5



- The top must be sealed to the vanity unit with an acetic cured silicone sealant. Epoxy type sealants must not be used
- Tops can be drilled on site with a standard hole saw
- For wall mounted taps we recommend using a 200mm wall mixer

Product Dimensions (mm)	Ⓐ	Ⓑ	Ⓒ	Ⓓ	Ⓔ
City 46 - 700	700	460	350	265	55
City 46 - 700 (wall mount tap)	700	460	350	230	-
City 46 - 900	900	460	450	265	55
City 46 - 900 (wall mount tap)	900	460	450	230	-
City 46 - 1200	1200	460	600	265	55
City 46 - 1200 (wall mount tap)	1200	460	600	230	-

INDICATES TOP SURFACE -----

IMPORTANT NOTE: Throughout this guide, dimensions may vary by ± 2mm. Please read the installation manual for detailed information on installing the product. St. Michel pursues a policy of continuing improvement in design and manufacturing of its products. The right is therefore reserved to vary specifications without notice. For full installation instructions visit stmichel.co.nz.

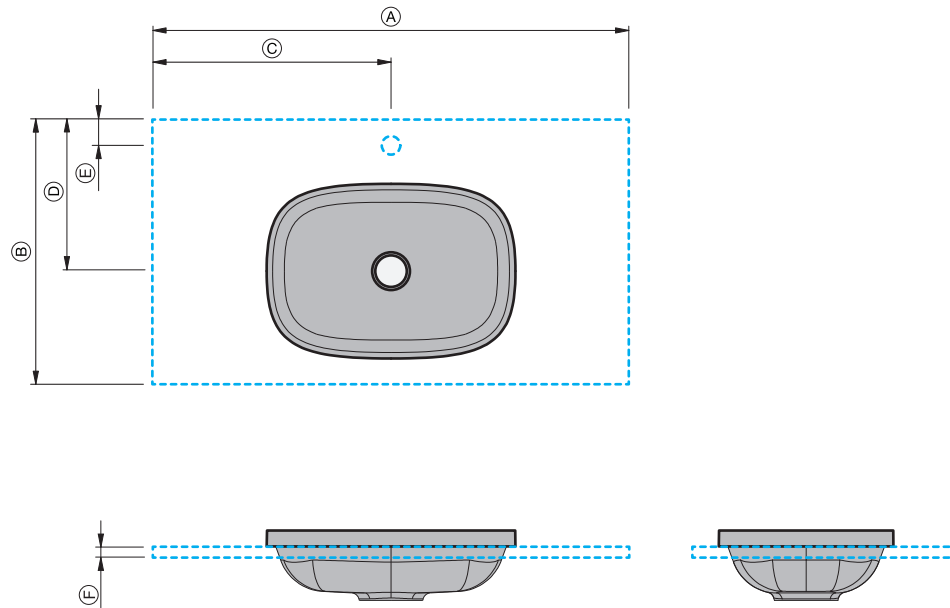
TOP SPECIFICATION
Mecca

Cabinet range (refer to applicable cabinet specifications)



RIVA CLASSIC CITY 46

Top Thickness (mm)	Ⓕ	Cherry Pie			
Riva Classic		20.5			



- The top must be sealed to the vanity unit with an acetic cured silicone sealant. Epoxy type sealants must not be used
- Tops can be drilled on site with a standard hole saw
- For wall mounted taps we recommend using a 200mm wall mixer

Product Dimensions (mm)	Ⓐ	Ⓑ	Ⓒ	Ⓓ	Ⓔ
Riva Classic - 750	750	460	375	265	55
Riva Classic - 750 (wall mount tap)	750	460	375	230	-
Riva Classic - 900	900	460	450	265	55
Riva Classic - 900 (wall mount tap)	900	460	450	230	-
Riva Classic - 900 - LH	900	460	340	265	55
Riva Classic - 900 - LH (wall mount tap)	900	460	340	230	-
Riva Classic - 900 - RH	900	460	560	265	55
Riva Classic - 900 - RH (wall mount tap)	900	460	560	230	-
Riva Classic - 1200	1200	460	600	265	55
Riva Classic - 1200 (wall mount tap)	1200	460	600	230	-
Riva Classic - 1500	1500	460	750	265	55
Riva Classic - 1500 (wall mount tap)	1500	460	750	230	-

INDICATES TOP SURFACE -----

IMPORTANT NOTE: Throughout this guide, dimensions may vary by ± 2 mm. Please read the installation manual for detailed information on installing the product. St. Michel pursues a policy of continuing improvement in design and manufacturing of its products. The right is therefore reserved to vary specifications without notice. For full installation instructions visit stmichel.co.nz.

Date edited:

20 / 03 / 2020

03 / 04

TOP SPECIFICATION
Mecca

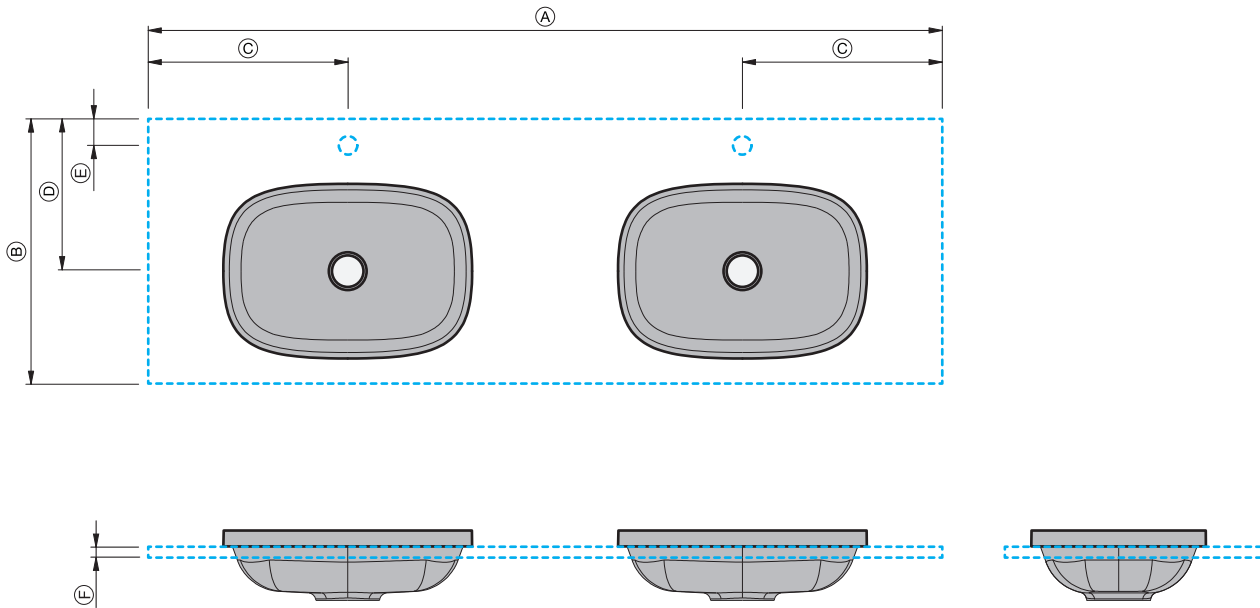
Cabinet range (refer to applicable cabinet specifications)



RIVA CLASSIC

CITY 46

Top Thickness (mm)	(F)	Cherry Pie	HPL
Riva Classic		20.5	
City 46		20.5	



- The top must be sealed to the vanity unit with an acetic cured silicone sealant. Epoxy type sealants must not be used
- Tops can be drilled on site with a standard hole saw
- For wall mounted taps we recommend using a 200mm wall mixer

Product Dimensions (mm)	(A)	(B)	(C)	(D)	(E)
City 46 - 1200 - DB	1200	460	300	265	55
City 46 - 1200 - DB (wall mount tap)	1200	460	300	230	-
City 46 - 1400 - DB	1400	460	350	265	55
City 46 - 1400 - DB (wall mount tap)	1400	460	350	230	-
Riva Classic - 1200 - DB	1200	460	300	265	55
Riva Classic - 1200 - DB (wall mount tap)	1200	460	300	230	-
Riva Classic - 1500 - DB	1500	460	375	265	55
Riva Classic - 1500 - DB (wall mount tap)	1500	460	375	230	-

INDICATES TOP SURFACE -----

IMPORTANT NOTE: Throughout this guide, dimensions may vary by ± 2 mm. Please read the installation manual for detailed information on installing the product. St. Michel pursues a policy of continuing improvement in design and manufacturing of its products. The right is therefore reserved to vary specifications without notice. For full installation instructions visit stmichel.co.nz.