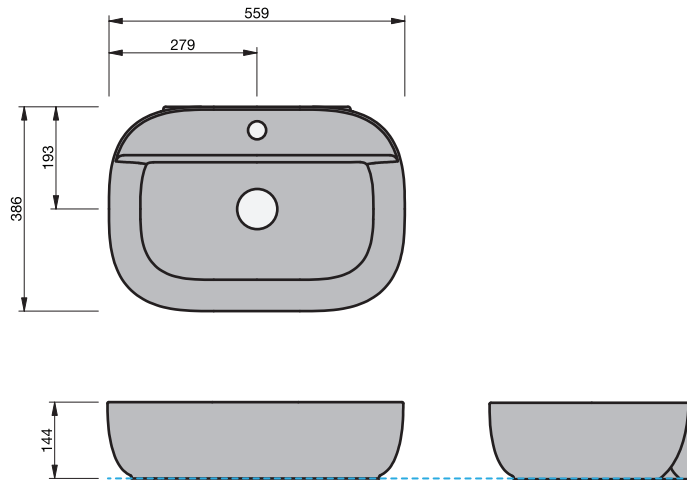


BASIN SPECIFICATION

Glam 56/R



Cabinet range (refer to applicable cabinet specifications)



LONDON 50

Product Features

Type of basin	Vessel
Material of basin	Ceramic
Capacity of basin	14.6 litre
Overflow Configuration	No Overflow
Colour options	White Gloss

- The basin must be sealed to the top with an acetic cured silicone sealant.
- Epoxy type sealants must not be used.

INDICATES TOP SURFACE -----

IMPORTANT NOTE: Throughout this guide, dimensions may vary by ± 2 mm. Please read the installation manual for detailed information on installing the product. St. Michel pursues a policy of continuing improvement in design and manufacturing of its products. The right is therefore reserved to vary specifications without notice. For full installation instructions visit stmichel.co.nz.

Date edited:

10 / 02 / 2021

TOP SPECIFICATION
Glam 56/R

Cabinet range (refer to applicable cabinet specifications)

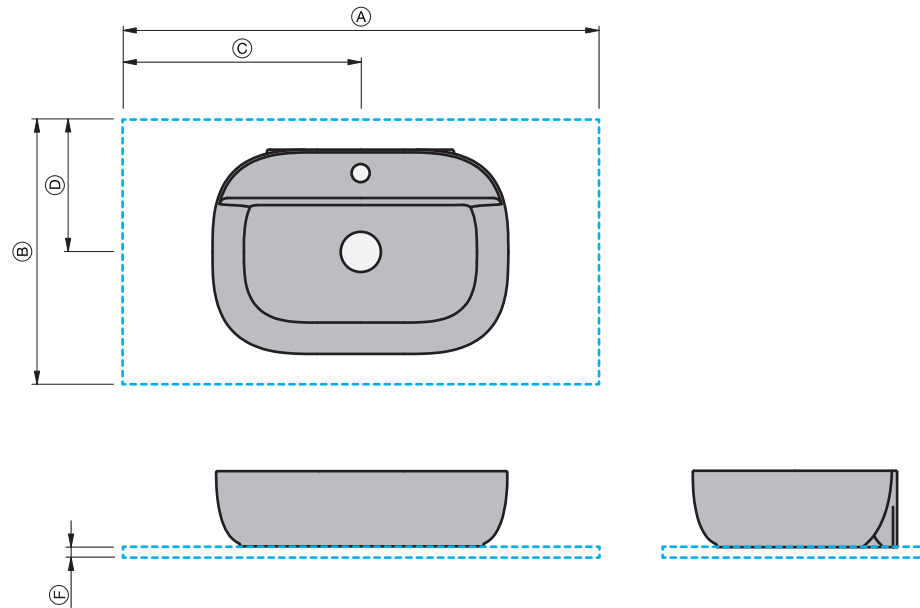


LONDON 50

Top Thickness (mm)	ⓕ	Cherry Pie
London		60

- The top must be sealed to the vanity unit with an acetic cured silicone sealant. Epoxy type sealants must not be used
- Tops can be drilled on site with a standard hole saw
- For wall mounted taps we recommend using a 200mm wall mixer

Product Dimensions (mm)	Ⓐ	Ⓑ	Ⓒ	Ⓓ	Ⓔ
London - 750	750	510	375	255	-
London - 900	900	510	450	255	-
London - 1200	1200	510	600	255	-
London - 1500 - LH	1500	510	378	255	-
London - 1500 - RH	1500	510	1122	255	-
London - 1800 - LH	1800	510	453	255	-
London - 1800 - RH	1800	510	1347	255	-



INDICATES TOP SURFACE -----

IMPORTANT NOTE: Throughout this guide, dimensions may vary by ± 2 mm. Please read the installation manual for detailed information on installing the product. St. Michel pursues a policy of continuing improvement in design and manufacturing of its products. The right is therefore reserved to vary specifications without notice. For full installation instructions visit stmichel.co.nz.

Date edited:

10 / 02 / 2021

TOP SPECIFICATION
Glam 56/R

Cabinet range (refer to applicable cabinet specifications)

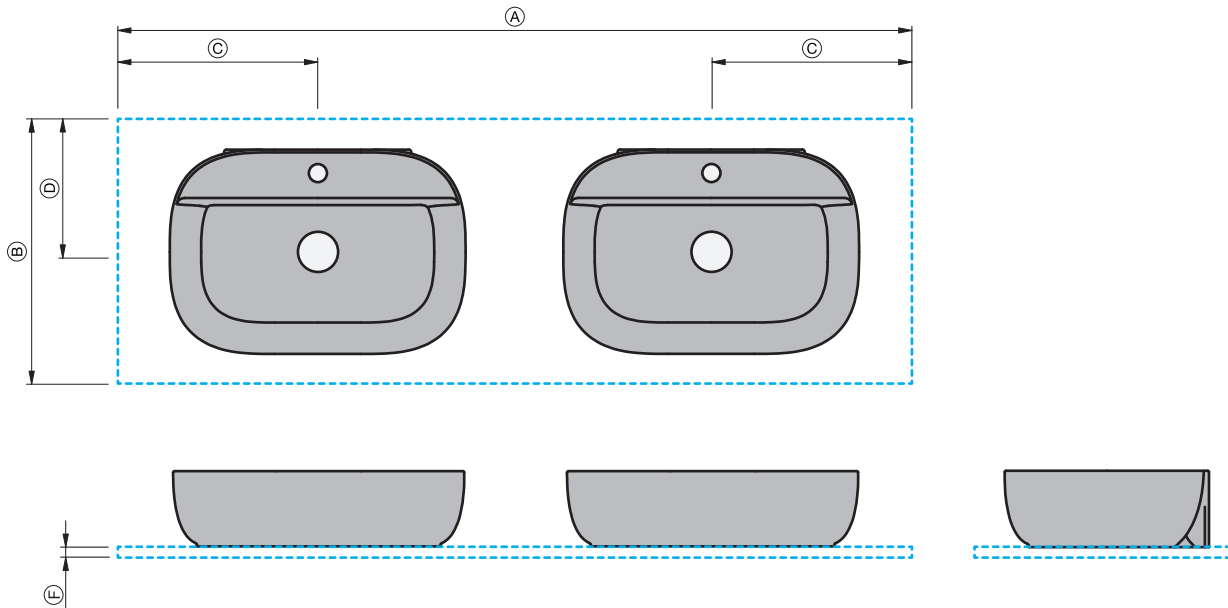


LONDON 50

Top Thickness (mm)	ⓕ	Cherry Pie
London		60

- The top must be sealed to the vanity unit with an acetic cured silicone sealant. Epoxy type sealants must not be used
- Tops can be drilled on site with a standard hole saw
- For wall mounted taps we recommend using a 200mm wall mixer

Product Dimensions (mm)	Ⓐ	Ⓑ	Ⓒ	Ⓓ	Ⓔ
London - 1500 - DB	1500	510	378	255	-
London - 1800 - DB	1800	510	453	255	-



INDICATES TOP SURFACE -----

IMPORTANT NOTE: Throughout this guide, dimensions may vary by ± 2mm. Please read the installation manual for detailed information on installing the product. St. Michel pursues a policy of continuing improvement in design and manufacturing of its products. The right is therefore reserved to vary specifications without notice. For full installation instructions visit stmichel.co.nz.