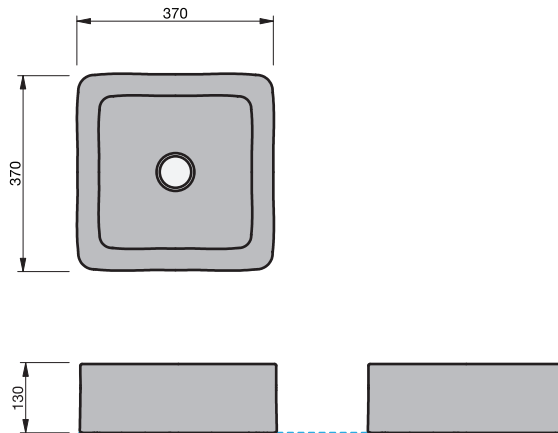
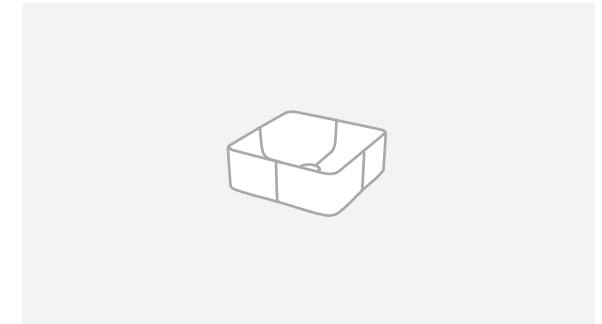


BASIN SPECIFICATION

Malo



Cabinet range (refer to applicable cabinet specifications)



LONDON 50



CITY 50



Product Features

Type of basin	Vessel
Material of basin	Ceramic
Capacity of basin	
Overflow Configuration	No Overflow
Colour options	White (Gloss)

- The basin must be sealed to the top with an acetic cured silicone sealant.
- Epoxy type sealants must not be used.

INDICATES TOP SURFACE -----

IMPORTANT NOTE: Throughout this guide, dimensions may vary by ± 2 mm. Please read the installation manual for detailed information on installing the product. St. Michel pursues a policy of continuing improvement in design and manufacturing of its products. The right is therefore reserved to vary specifications without notice. For full installation instructions visit stmichel.co.nz.

Date edited:

10 / 02 / 2021

TOP SPECIFICATION
Malo

Cabinet range (refer to applicable cabinet specifications)



LONDON 50 CITY 50

Top Thickness (mm)	Ⓕ	Cherry Pie
London		60

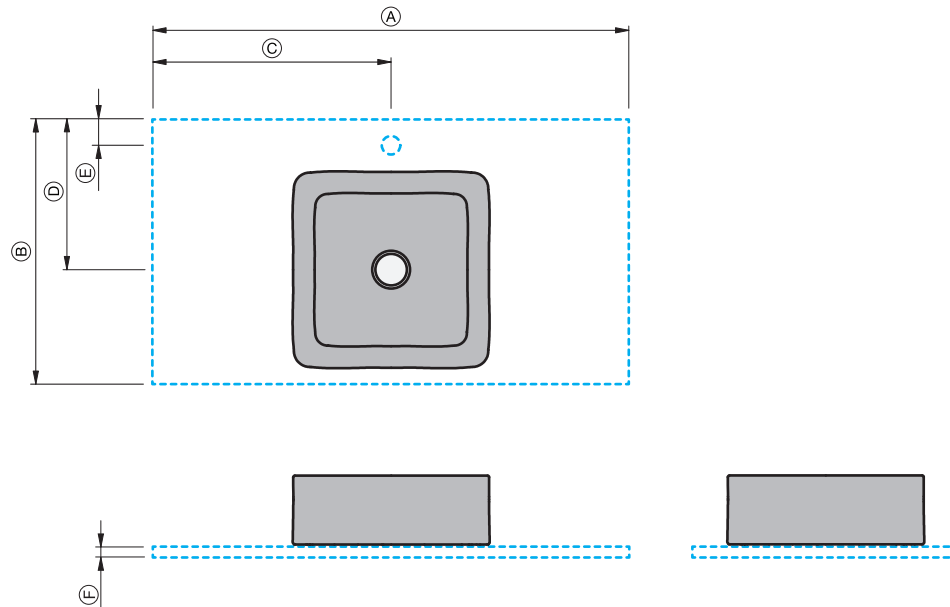
- The top must be sealed to the vanity unit with an acetic cured silicone sealant. Epoxy type sealants must not be used
- Tops can be drilled on site with a standard hole saw
- For wall mounted taps we recommend using a 200mm wall mixer

Product Dimensions (mm)	Ⓐ	Ⓑ	Ⓒ	Ⓓ	Ⓔ
London - 750	750	510	375	300	80
London - 750 (wall mounted tap)	750	510	375	255	-
London - 900	900	510	450	300	80
London - 900 (wall mounted tap)	900	510	450	255	-
London - 1200	1200	510	600	300	80
London - 1200 (wall mounted tap)	1200	510	600	255	-
London - 1500 - LH	1500	510	378	300	80
London - 1500 - LH (wall mounted tap)	1500	510	378	255	-
London - 1500 - RH	1500	510	1122	300	80
London - 1500 - RH (wall mounted tap)	1500	510	1122	255	-
London - 1800 - LH	1800	510	453	300	80
London - 1800 - LH (wall mounted tap)	1800	510	453	255	-
London - 1800 - RH	1800	510	1347	300	80
London - 1800 - RH (wall mounted tap)	1800	510	1347	255	-

INDICATES TOP SURFACE -----

IMPORTANT NOTE: Throughout this guide, dimensions may vary by ± 2mm. Please read the installation manual for detailed information on installing the product. St. Michel pursues a policy of continuing improvement in design and manufacturing of its products. The right is therefore reserved to vary specifications without notice. For full installation instructions visit stmichel.co.nz.

Date edited: 10 / 02 / 2021



TOP SPECIFICATION
Malo

Cabinet range (refer to applicable cabinet specifications)



LONDON 50

Top Thickness (mm)	Cherry Pie
London	60

- The top must be sealed to the vanity unit with an acetic cured silicone sealant. Epoxy type sealants must not be used
- Tops can be drilled on site with a standard hole saw
- For wall mounted taps we recommend using a 200mm wall mixer

Product Dimensions (mm)	A	B	C	D	E
London - 1500 - DB	1500	510	378	300	80
London - 1500 - DB (wall mount tap)	1500	510	378	255	-
London - 1800 - DB	1800	510	453	300	80
London - 1800 - DB (wall mount tap)	1800	510	453	255	-

INDICATES TOP SURFACE -----

IMPORTANT NOTE: Throughout this guide, dimensions may vary by ± 2mm. Please read the installation manual for detailed information on installing the product. St. Michel pursues a policy of continuing improvement in design and manufacturing of its products. The right is therefore reserved to vary specifications without notice. For full installation instructions visit stmichel.co.nz.

Date edited: 10 / 02 / 2021

