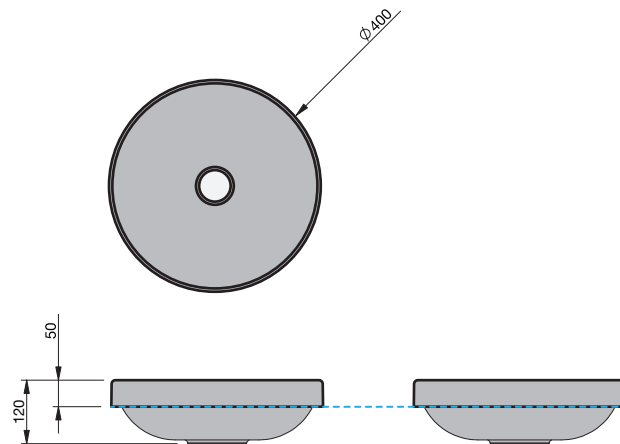


BASIN SPECIFICATION

Respect



**Cabinet range** (refer to applicable cabinet specifications)



**Product Features**

Type of basin	Inset
Material of basin	Cherry Pie®
Capacity of basin	7 litre
Overflow Configuration	No Overflow
Colour options	White (Matte)

- The basin must be sealed to the top with an acetic cured silicone sealant.
- Epoxy type sealants must not be used.

INDICATES TOP SURFACE -----

IMPORTANT NOTE: Throughout this guide, dimensions may vary by  $\pm 2$ mm. Please read the installation manual for detailed information on installing the product. St. Michel pursues a policy of continuing improvement in design and manufacturing of its products. The right is therefore reserved to vary specifications without notice. For full installation instructions visit [stmichel.co.nz](http://stmichel.co.nz).

Date edited:

10 / 02 / 2021

TOP SPECIFICATION  
Respect

Cabinet range (refer to applicable cabinet specifications)



LONDON 50 RIVA CLASSIC CITY 46

Top Thickness (mm)	Ⓕ	Cherry Pie	HPL
London		60	
Riva Classic		20.5	
City 46		20.5	17.5

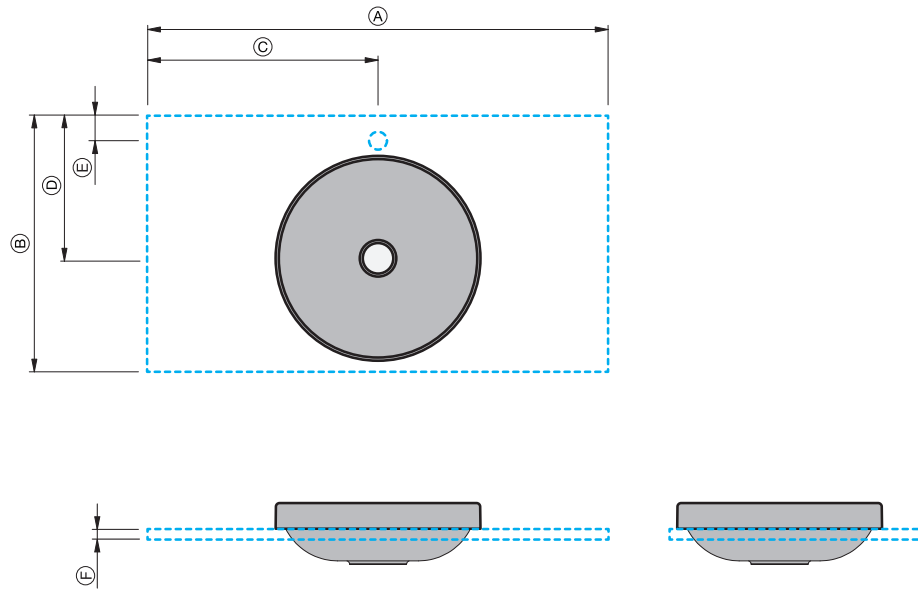
- The top must be sealed to the vanity unit with an acetic cured silicone sealant. Epoxy type sealants must not be used
- Tops can be drilled on site with a standard hole saw
- For wall mounted taps we recommend using a 200mm wall mixer

Product Dimensions (mm)	Ⓐ	Ⓑ	Ⓒ	Ⓓ	Ⓔ
London - 750	750	510	375	298	73
London - 750 (wall mounted tap)	750	510	375	255	-
London - 900	900	510	450	298	73
London - 900 (wall mounted tap)	900	510	450	255	-
London - 1200	1200	510	600	298	73
London - 1200 (wall mounted tap)	1200	510	600	255	-
London - 1500 - LH	1500	510	378	298	73
London - 1500 - LH (wall mounted tap)	1500	510	378	255	-
London - 1500 - RH	1500	510	1122	298	73
London - 1500 - RH (wall mounted tap)	1500	510	1122	255	-
London - 1800 - LH	1800	510	453	298	73
London - 1800 - LH (wall mounted tap)	1500	510	378	255	-
London - 1800 - RH	1800	510	1347	298	73

INDICATES TOP SURFACE -----

IMPORTANT NOTE: Throughout this guide, dimensions may vary by  $\pm 2$ mm. Please read the installation manual for detailed information on installing the product. St. Michel pursues a policy of continuing improvement in design and manufacturing of its products. The right is therefore reserved to vary specifications without notice. For full installation instructions visit [stmichel.co.nz](http://stmichel.co.nz).

Date edited: 10 / 02 / 2021



**TOP SPECIFICATION**  
**Respect**

**Cabinet range** (refer to applicable cabinet specifications)



LONDON 50 RIVA CLASSIC CITY 46

Top Thickness (mm)	ⓕ	Cherry Pie	HPL
Riva Classic		20.5	
City 46		20.5	17.5

- The top must be sealed to the vanity unit with an acetic cured silicone sealant. Epoxy type sealants must not be used
- Tops can be drilled on site with a standard hole saw
- For wall mounted taps we recommend using a 200mm wall mixer

Product Dimensions (mm)	Ⓐ	Ⓑ	Ⓒ	Ⓓ	Ⓔ
City 46 - 700	700	460	350	230	-
City 46 - 900	900	460	450	230	-
City 46 - 1200	1200	460	600	230	-
Riva Classic - 750	750	460	375	230	-
Riva Classic - 900	900	460	450	230	-
Riva Classic - 900 - LH	900	460	340	230	-
Riva Classic - 900 - RH	900	460	560	230	-
Riva Classic - 1200	1200	460	600	230	-
Riva Classic - 1500	1500	460	750	230	-

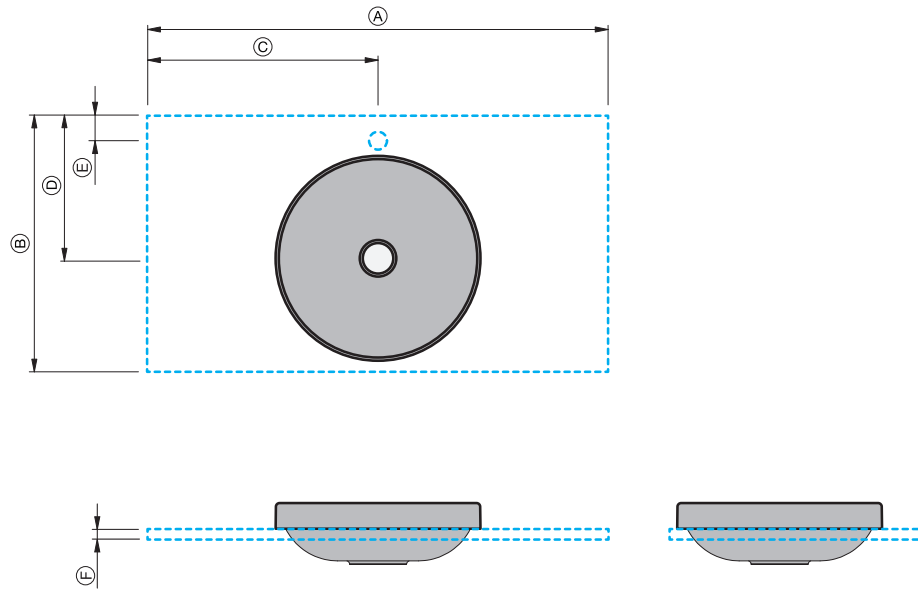
INDICATES TOP SURFACE -----

IMPORTANT NOTE: Throughout this guide, dimensions may vary by  $\pm 2$ mm. Please read the installation manual for detailed information on installing the product. St. Michel pursues a policy of continuing improvement in design and manufacturing of its products. The right is therefore reserved to vary specifications without notice. For full installation instructions visit [stmichel.co.nz](http://stmichel.co.nz).

Date edited:

10 / 02 / 2021

03 / 04



TOP SPECIFICATION  
Respect

Cabinet range (refer to applicable cabinet specifications)

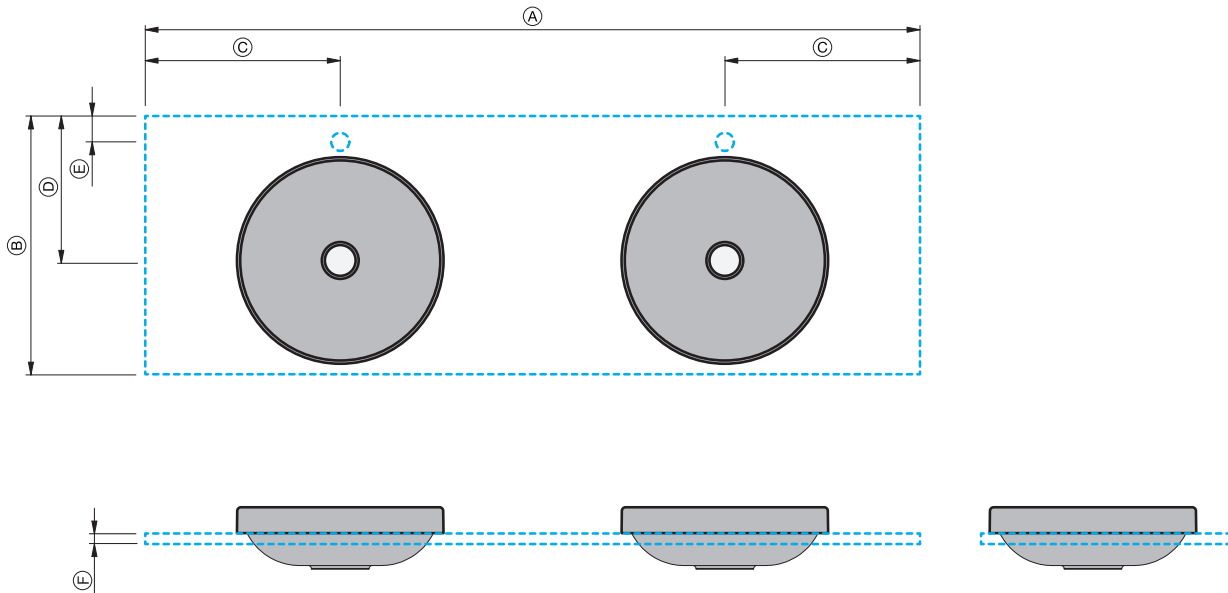


LONDON 50 RIVA CLASSIC CITY 46

Top Thickness (mm)	F	Cherry Pie	HPL
London		60	
Riva Classic		20.5	
City 46		20.5	17.5

- The top must be sealed to the vanity unit with an acetic cured silicone sealant. Epoxy type sealants must not be used
- Tops can be drilled on site with a standard hole saw
- For wall mounted taps we recommend using a 200mm wall mixer

Product Dimensions (mm)	A	B	C	D	E
City 46 - 1200 - DB	1200	460	300	230	-
City 46 - 1400 - DB	1400	460	350	230	-
Riva Classic - 1200 - DB	1200	460	300	230	-
Riva Classic - 1500 - DB	1500	460	375	230	-
London - 1500 - DB	1500	510	378	298	73
London - 1500 - DB (wall mounted tap)	1500	510	378	255	-
London - 1800 - DB	1800	510	453	298	73
London - 1800 - DB (wall mounted tap)	1800	510	453	255	-



INDICATES TOP SURFACE -----

IMPORTANT NOTE: Throughout this guide, dimensions may vary by  $\pm 2$ mm. Please read the installation manual for detailed information on installing the product. St. Michel pursues a policy of continuing improvement in design and manufacturing of its products. The right is therefore reserved to vary specifications without notice. For full installation instructions visit [stmichel.co.nz](http://stmichel.co.nz).

Date edited:

10 / 02 / 2021

04 / 04