

**Cabinet range** (refer to applicable cabinet specifications)



LONDON 50



CITY 50

**Product Features**

Type of basin	Vessel
Material of basin	Ceramic
Capacity of basin	7.5 ltr
Overflow Configuration	No overflow
Colour options	White (Gloss), Black (Matte)

- The basin must be sealed to the top with an acetic cured silicone sealant.
- Epoxy type sealants must not be used.

INDICATES TOP SURFACE -----

IMPORTANT NOTE: Throughout this guide, dimensions may vary by  $\pm 2$ mm. Please read the installation manual for detailed information on installing the product. St. Michel pursues a policy of continuing improvement in design and manufacturing of its products. The right is therefore reserved to vary specifications without notice. For full installation instructions visit [stmichel.co.nz](http://stmichel.co.nz).

TOP SPECIFICATION  
smartB 7401

Cabinet range (refer to applicable cabinet specifications)

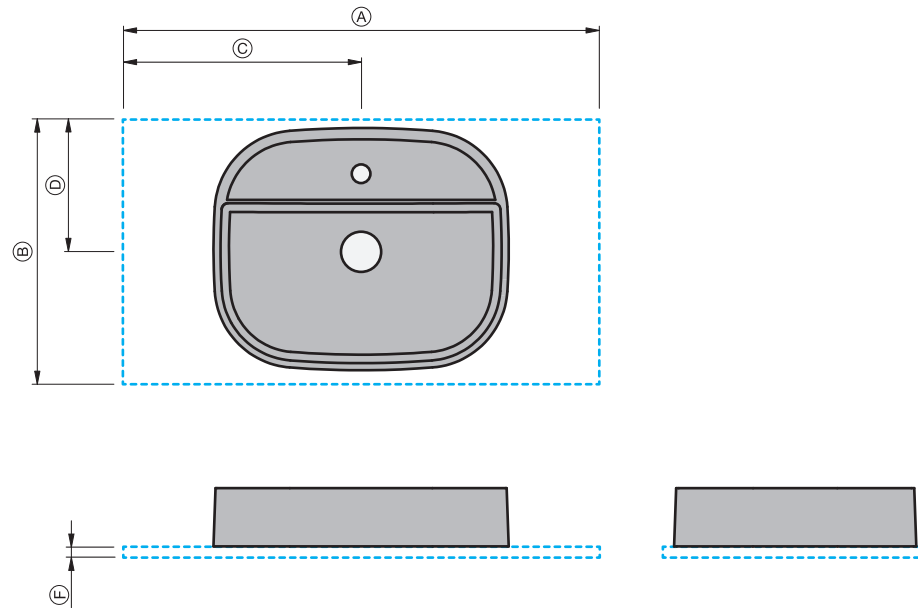


LONDON 50

Top Thickness (mm)	Ⓕ	Cherry Pie	HPL
London		60	

- The top must be sealed to the vanity unit with an acetic cured silicone sealant. Epoxy type sealants must not be used
- Tops can be drilled on site with a standard hole saw
- For wall mounted taps we recommend using a 200mm wall mixer

Product Dimensions (mm)	Ⓐ	Ⓑ	Ⓒ	Ⓓ	Ⓔ
London - 750	750	510	375	255	-
London - 900	900	510	450	255	-
London - 1200	1200	510	600	255	-
London - 1500 - LH	1500	510	378	255	-
London - 1500 - RH	1500	510	1122	255	-
London - 1800 - LH	1800	510	453	255	-
London - 1800 - RH	1800	510	1347	255	-



INDICATES TOP SURFACE -----

IMPORTANT NOTE: Throughout this guide, dimensions may vary by  $\pm 2$ mm. Please read the installation manual for detailed information on installing the product. St. Michel pursues a policy of continuing improvement in design and manufacturing of its products. The right is therefore reserved to vary specifications without notice. For full installation instructions visit [stmichel.co.nz](http://stmichel.co.nz).

Date edited:

09 / 02 / 2021

TOP SPECIFICATION  
smartB 7401

Cabinet range (refer to applicable cabinet specifications)



LONDON 50

Top Thickness (mm)	F	Cherry Pie	HPL
London		60	

- The top must be sealed to the vanity unit with an acetic cured silicone sealant. Epoxy type sealants must not be used
- Tops can be drilled on site with a standard hole saw
- For wall mounted taps we recommend using a 200mm wall mixer

Product Dimensions (mm)	A	B	C	D	E
London - 1500 - DB	1500	510	378	255	-
London - 1800 - DB	1800	510	453	255	-

INDICATES TOP SURFACE -----

IMPORTANT NOTE: Throughout this guide, dimensions may vary by ± 2mm. Please read the installation manual for detailed information on installing the product. St. Michel pursues a policy of continuing improvement in design and manufacturing of its products. The right is therefore reserved to vary specifications without notice. For full installation instructions visit [stmichel.co.nz](http://stmichel.co.nz).

Date edited:

09 / 02 / 2021

03 / 03

