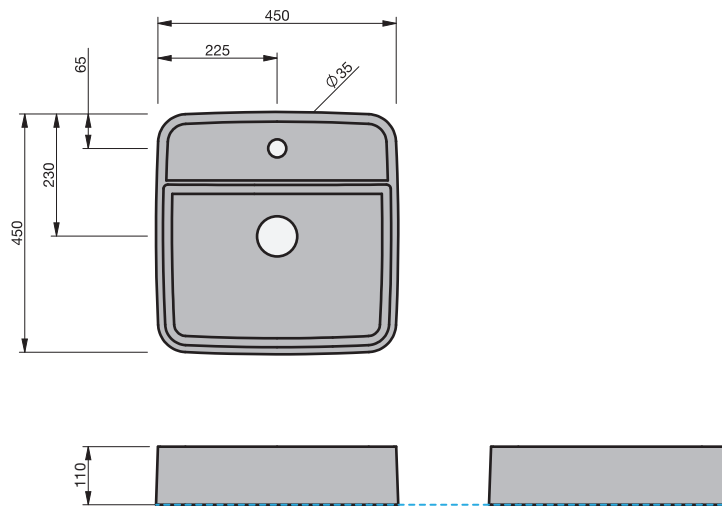


BASIN SPECIFICATION

smartB 7412



Cabinet range (refer to applicable cabinet specifications)



LONDON 50



CITY 50

Product Features

| | |
|------------------------|------------------------------|
| Type of basin | Vessel |
| Material of basin | Ceramic |
| Capacity of basin | 7.5 ltr |
| Overflow Configuration | No overflow |
| Colour options | White (Gloss), Black (Matte) |

- The basin must be sealed to the top with an acetic cured silicone sealant.
- Epoxy type sealants must not be used.

INDICATES TOP SURFACE -----

IMPORTANT NOTE: Throughout this guide, dimensions may vary by ± 2 mm. Please read the installation manual for detailed information on installing the product. St. Michel pursues a policy of continuing improvement in design and manufacturing of its products. The right is therefore reserved to vary specifications without notice. For full installation instructions visit stmichel.co.nz.

Date edited:

10 / 02 / 2021

TOP SPECIFICATION
smartB 7412

Cabinet range (refer to applicable cabinet specifications)



LONDON 50

| Top Thickness (mm) | Ⓕ | Cherry Pie | HPL |
|--------------------|---|------------|-----|
| London | | 60 | |
| | | | |
| | | | |
| | | | |

- The top must be sealed to the vanity unit with an acetic cured silicone sealant. Epoxy type sealants must not be used
- Tops can be drilled on site with a standard hole saw
- For wall mounted taps we recommend using a 200mm wall mixer

| Product Dimensions (mm) | Ⓐ | Ⓑ | Ⓒ | Ⓓ | Ⓔ |
|-------------------------|------|-----|------|-----|---|
| London - 750 | 750 | 510 | 375 | 255 | - |
| London - 900 | 900 | 510 | 450 | 255 | - |
| London - 1200 | 1200 | 510 | 600 | 255 | - |
| London - 1500 - LH | 1500 | 510 | 378 | 255 | - |
| London - 1500 - RH | 1500 | 510 | 1122 | 255 | - |
| London - 1800 - LH | 1800 | 510 | 453 | 255 | - |
| London - 1800 - RH | 1800 | 510 | 1347 | 255 | - |

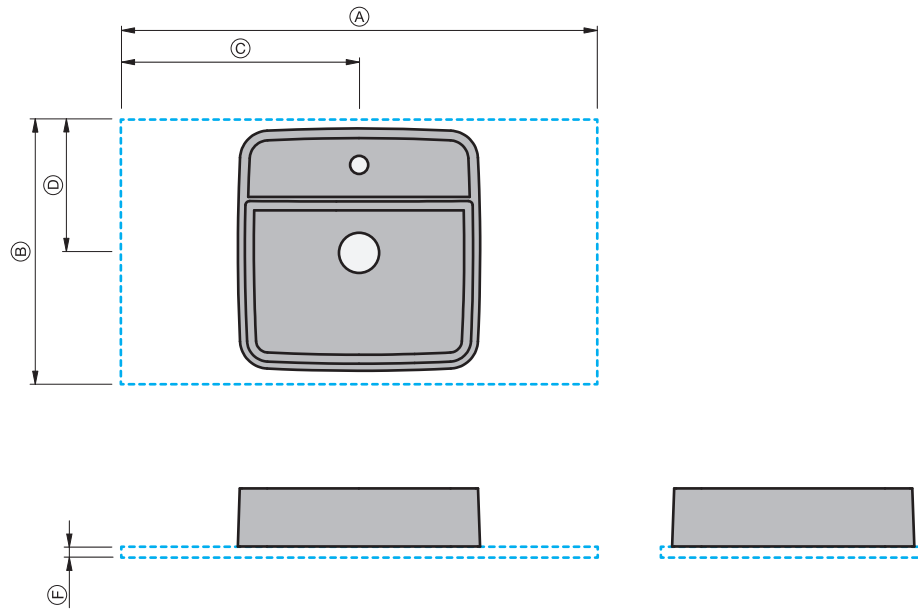
INDICATES TOP SURFACE -----

IMPORTANT NOTE: Throughout this guide, dimensions may vary by ± 2 mm. Please read the installation manual for detailed information on installing the product. St. Michel pursues a policy of continuing improvement in design and manufacturing of its products. The right is therefore reserved to vary specifications without notice. For full installation instructions visit stmichel.co.nz.

Date edited:

10 / 02 / 2021

02 / 03



TOP SPECIFICATION
smartB 7412

Cabinet range (refer to applicable cabinet specifications)



LONDON 50

| Top Thickness (mm) | F | Cherry Pie | HPL |
|--------------------|---|------------|-----|
| London | | 60 | |
| | | | |
| | | | |
| | | | |
| | | | |

- The top must be sealed to the vanity unit with an acetic cured silicone sealant. Epoxy type sealants must not be used
- Tops can be drilled on site with a standard hole saw
- For wall mounted taps we recommend using a 200mm wall mixer

| Product Dimensions (mm) | A | B | C | D | E |
|-------------------------|------|-----|-----|-----|---|
| London - 1500 - DB | 1500 | 510 | 378 | 255 | - |
| London - 1800 - DB | 1800 | 510 | 453 | 255 | - |

INDICATES TOP SURFACE -----

IMPORTANT NOTE: Throughout this guide, dimensions may vary by ± 2 mm. Please read the installation manual for detailed information on installing the product. St. Michel pursues a policy of continuing improvement in design and manufacturing of its products. The right is therefore reserved to vary specifications without notice. For full installation instructions visit stmichel.co.nz.

Date edited:

10 / 02 / 2021

03 / 03

