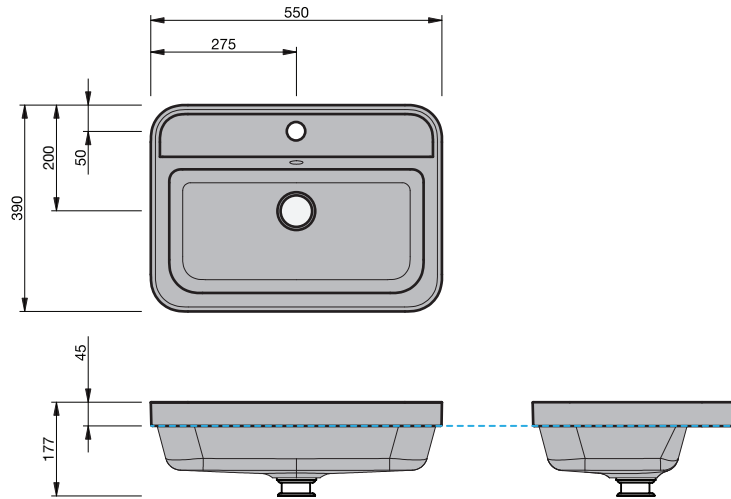


BASIN SPECIFICATION

Star



Cabinet range (refer to applicable cabinet specifications)



LONDON 50 RIVA CLASSIC CITY 46

Product Features

Type of basin	Inset
Material of basin	Cherry Pie®
Capacity of basin	6 litre
Overflow Configuration	Overflow provided Max tap flow rate of 15 litres / minute
Colour options	White (Matte)

- The basin must be sealed to the top with an acetic cured silicone sealant.
- Epoxy type sealants must not be used.

INDICATES TOP SURFACE -----

IMPORTANT NOTE: Throughout this guide, dimensions may vary by ± 2 mm. Please read the installation manual for detailed information on installing the product. St. Michel pursues a policy of continuing improvement in design and manufacturing of its products. The right is therefore reserved to vary specifications without notice. For full installation instructions visit stmichel.co.nz.

Date edited:

10 / 02 / 2021

01 / 04

TOP SPECIFICATION
Star

Cabinet range (refer to applicable cabinet specifications)



LONDON 50 RIVA CLASSIC CITY 46

Top Thickness (mm)	F	Cherry Pie	HPL
London		60	

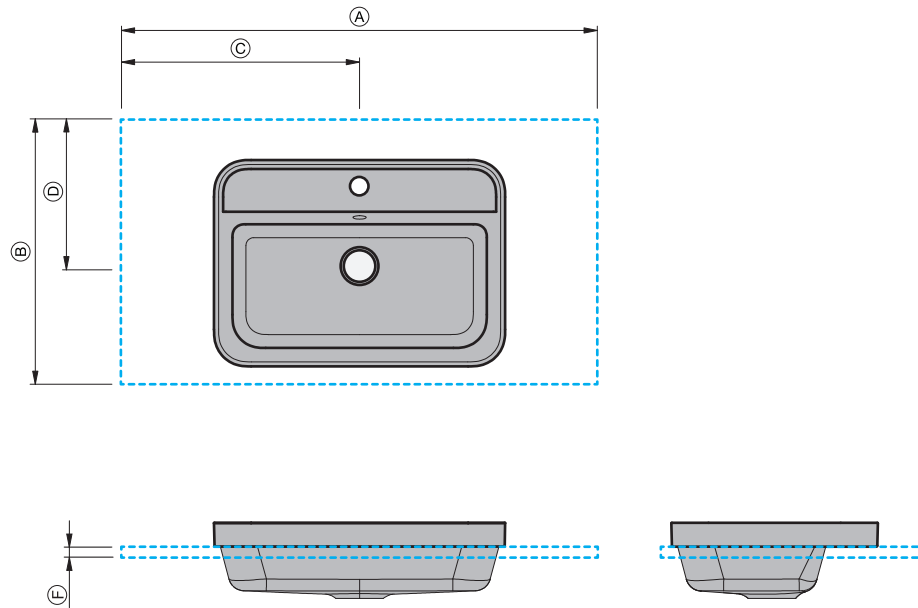
- The top must be sealed to the vanity unit with an acetic cured silicone sealant. Epoxy type sealants must not be used
- Tops can be drilled on site with a standard hole saw

Product Dimensions (mm)	A	B	C	D	E
London - 750	750	510	375	290	-
London - 900	900	510	450	290	-
London - 1200	1200	510	600	290	-
London - 1500 - LH	1500	510	378	290	-
London - 1500 - RH	1500	510	1122	290	-
London - 1800 - LH	1800	510	453	290	-
London - 1800 - RH	1800	510	1347	290	-

INDICATES TOP SURFACE -----

IMPORTANT NOTE: Throughout this guide, dimensions may vary by ± 2mm. Please read the installation manual for detailed information on installing the product. St. Michel pursues a policy of continuing improvement in design and manufacturing of its products. The right is therefore reserved to vary specifications without notice. For full installation instructions visit stmichel.co.nz.

Date edited: 10 / 02 / 2021



TOP SPECIFICATION
Star

Cabinet range (refer to applicable cabinet specifications)



LONDON 50 RIVA CLASSIC CITY 46

Top Thickness (mm)	Ⓕ	Cherry Pie	HPL
Riva Classic		20.5	
City 46		20.5	17.5

- The top must be sealed to the vanity unit with an acetic cured silicone sealant. Epoxy type sealants must not be used
- Tops can be drilled on site with a standard hole saw

Product Dimensions (mm)	Ⓐ	Ⓑ	Ⓒ	Ⓓ	Ⓔ
City 46 - 700	700	460	350	235	-
City 46 - 900	900	460	450	235	-
City 46 - 1200	1200	460	600	235	-
Riva Classic - 750	750	460	375	235	-
Riva Classic - 900	900	460	450	235	-
Riva Classic - 1200	1200	460	600	235	-
Riva Classic - 1500	1500	460	750	235	-
Riva Classic - 900 - LH	900	460	300	235	-
Riva Classic - 900 - RH	900	460	600	235	-

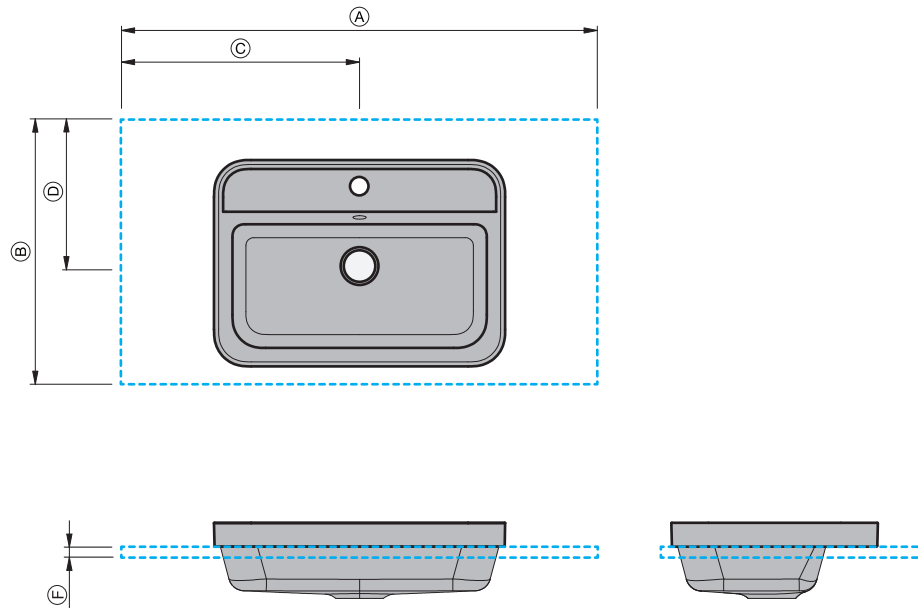
INDICATES TOP SURFACE -----

IMPORTANT NOTE: Throughout this guide, dimensions may vary by ± 2mm. Please read the installation manual for detailed information on installing the product. St. Michel pursues a policy of continuing improvement in design and manufacturing of its products. The right is therefore reserved to vary specifications without notice. For full installation instructions visit stmichel.co.nz.

Date edited:

10 / 02 / 2021

03 / 04



TOP SPECIFICATION
Star

Cabinet range (refer to applicable cabinet specifications)



LONDON 50 RIVA CLASSIC CITY 46

Top Thickness (mm)	ⓕ	Cherry Pie	HPL
London		60	
Riva Classic		20.5	
City 46		20.5	17.5

- The top must be sealed to the vanity unit with an acetic cured silicone sealant. Epoxy type sealants must not be used
- Tops can be drilled on site with a standard hole saw

Product Dimensions (mm)	Ⓐ	Ⓑ	Ⓒ	Ⓓ	Ⓔ
City 46 - 1200 - DB	1200	460	300	235	-
City 46 - 1400 - DB	1400	460	350	235	-
Riva Classic - 1200 - DB	1200	460	300	235	-
Riva Classic - 1500 - DB	1500	460	375	235	-
London - 1500 - DB	1500	510	377.5	290	-
London - 1800 - DB	1800	510	453	290	-

INDICATES TOP SURFACE -----

IMPORTANT NOTE: Throughout this guide, dimensions may vary by ± 2mm. Please read the installation manual for detailed information on installing the product. St. Michel pursues a policy of continuing improvement in design and manufacturing of its products. The right is therefore reserved to vary specifications without notice. For full installation instructions visit stmichel.co.nz.

Date edited:

10 / 02 / 2021

04 / 04

