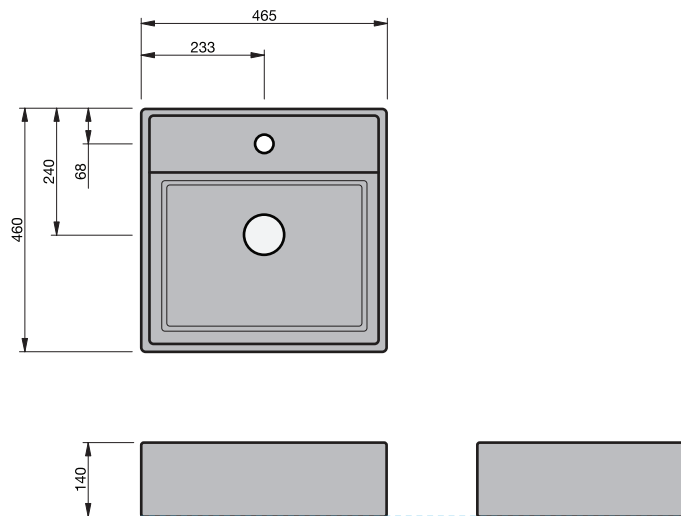
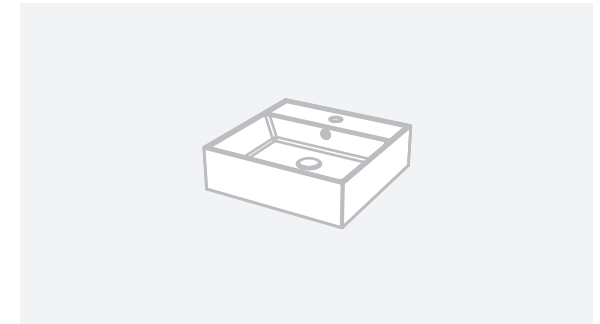


BASIN SPECIFICATION

Teorema 2.0 46/R



Cabinet range (refer to applicable cabinet specifications)



LONDON 50 RIVA CLASSIC CITY 46

Product Features

Type of basin	Vessel
Material of basin	Ceramic
Capacity of basin	3.5 litre
Overflow Configuration	Overflow provided Max tap flow rate of 15 litres / minute
Colour options	White Gloss

- The basin must be sealed to the top with an acetic cured silicone sealant.
- Epoxy type sealants must not be used.

INDICATES TOP SURFACE -----

IMPORTANT NOTE: Throughout this guide, dimensions may vary by ± 10 mm. Please read the installation manual for detailed information on installing the product. St. Michel pursues a policy of continuing improvement in design and manufacturing of its products. The right is therefore reserved to vary specifications without notice. For full installation instructions visit stmichel.co.nz.

Date edited:

09 / 02 / 2021

01 / 04

TOP SPECIFICATION
Teorema 2.0 46/R

Cabinet range (refer to applicable cabinet specifications)



LONDON 50 RIVA CLASSIC CITY 46

Top Thickness (mm)	F	Cherry Pie
London		60

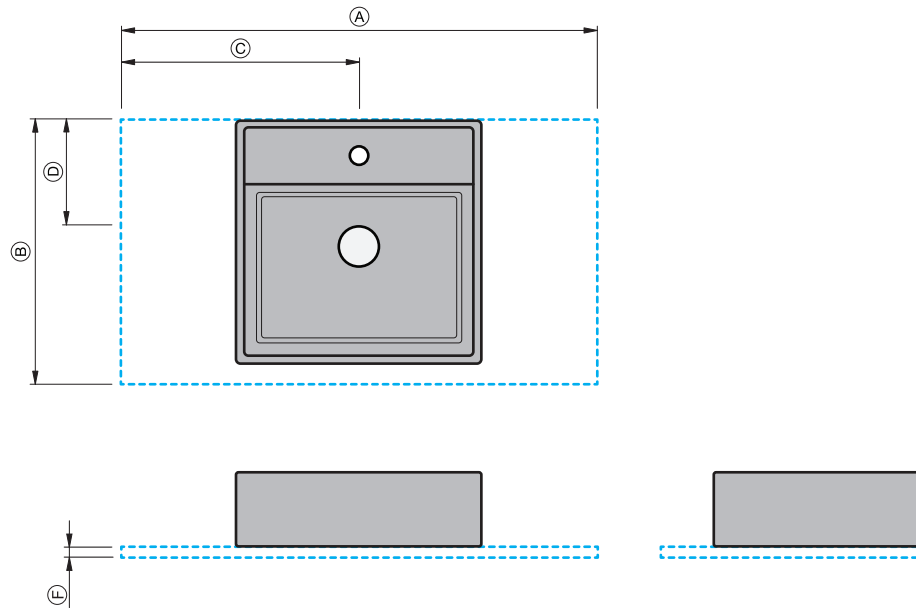
- The top must be sealed to the vanity unit with an acetic cured silicone sealant. Epoxy type sealants must not be used
- Tops can be drilled on site with a standard hole saw
- For wall mounted taps we recommend using a 200mm wall mixer

Product Dimensions (mm)	A	B	C	D	E
London - 750	750	510	375	245	-
London - 900	900	510	450	245	-
London - 1200	1200	510	600	245	-
London - 1500 - LH	1500	510	578	245	-
London - 1500 - RH	1500	510	1122	245	-
London - 1800 - LH	1800	510	453	245	-
London - 1800 - RH	1800	510	1347	245	-

INDICATES TOP SURFACE -----

IMPORTANT NOTE: Throughout this guide, dimensions may vary by ± 2 mm. Please read the installation manual for detailed information on installing the product. St. Michel pursues a policy of continuing improvement in design and manufacturing of its products. The right is therefore reserved to vary specifications without notice. For full installation instructions visit stmichel.co.nz.

Date edited: 09 / 02 / 2021



TOP SPECIFICATION
Teorema 2.0 46/R

Cabinet range (refer to applicable cabinet specifications)

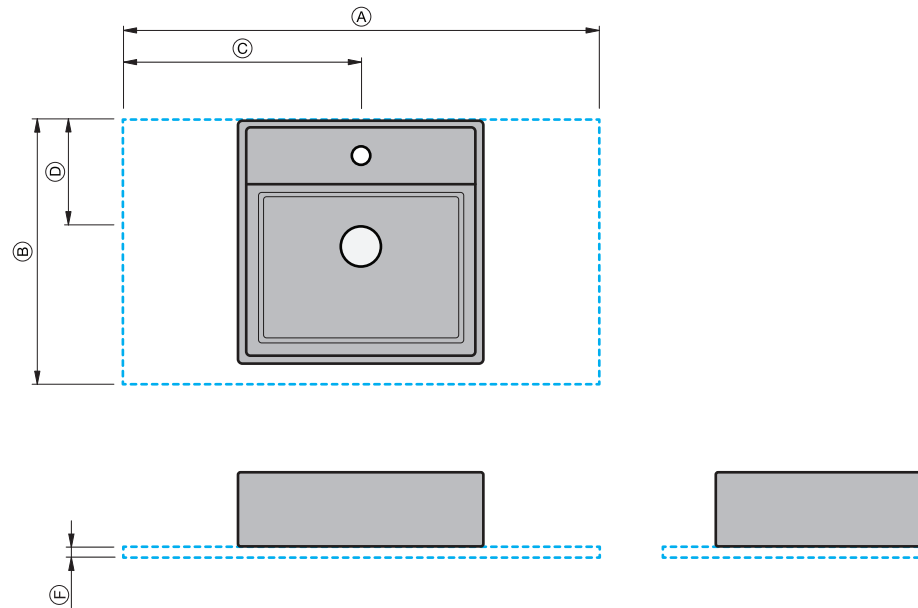


LONDON 50 RIVA CLASSIC CITY 46

Top Thickness (mm)	Ⓕ	Cherry Pie	HPL
City 46		20.5	17.5
Riva Classic		20.5	

- The top must be sealed to the vanity unit with an acetic cured silicone sealant. Epoxy type sealants must not be used
- Tops can be drilled on site with a standard hole saw

Product Dimensions (mm)	Ⓐ	Ⓑ	Ⓒ	Ⓓ	Ⓔ
City 46 - 700	700	460	350	240	-
City 46 - 900	900	460	450	240	-
City 46 - 1200	1200	460	600	240	-
Riva Classic - 750	750	460	375	240	-
Riva Classic - 900	900	460	450	240	-
Riva Classic - 900 - LH	900	460	340	240	-
Riva Classic - 900 - RH	900	460	560	240	-
Riva Classic - 1200	1200	460	600	240	-
Riva Classic - 1500	1500	460	750	240	-



INDICATES TOP SURFACE -----

IMPORTANT NOTE: Throughout this guide, dimensions may vary by ± 2 mm. Please read the installation manual for detailed information on installing the product. St. Michel pursues a policy of continuing improvement in design and manufacturing of its products. The right is therefore reserved to vary specifications without notice. For full installation instructions visit stmichel.co.nz.

Date edited:

09 / 02 / 2021

03 / 04

TOP SPECIFICATION
Teorema 2.0 46/R

Cabinet range (refer to applicable cabinet specifications)

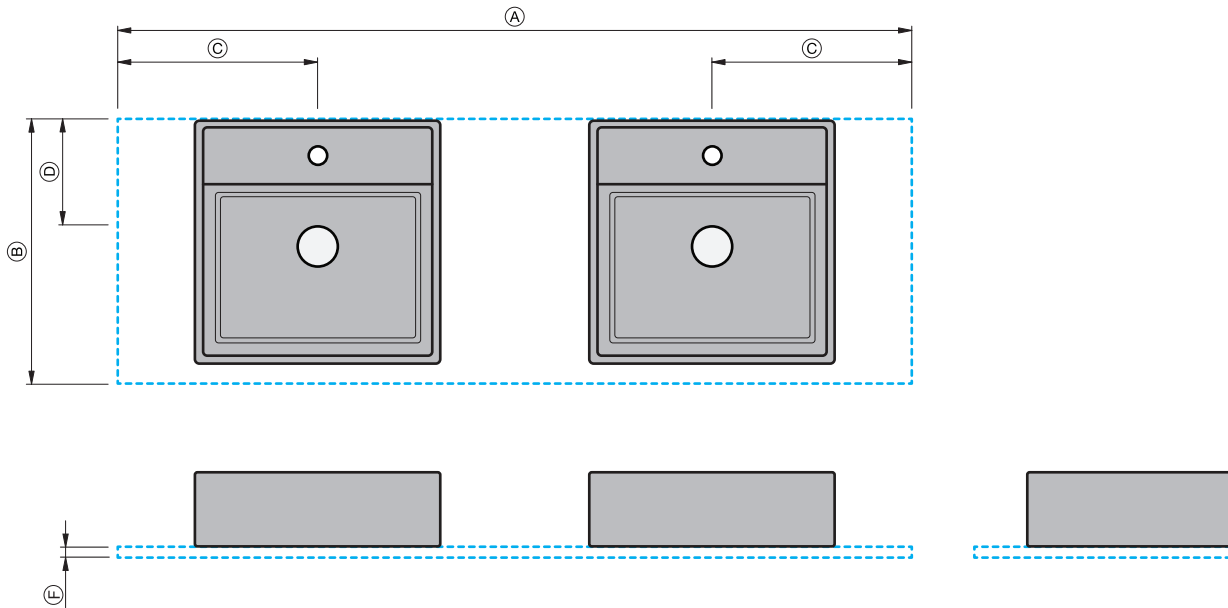


LONDON 50 RIVA CLASSIC CITY 46

Top Thickness (mm)	Ⓕ	Cherry Pie	HPL
Riva Classic		20.5	
City 46		20.5	17.5

- The top must be sealed to the vanity unit with an acetic cured silicone sealant. Epoxy type sealants must not be used
- Tops can be drilled on site with a standard hole saw
- For wall mounted taps we recommend using a 200mm wall mixer

Product Dimensions (mm)	Ⓐ	Ⓑ	Ⓒ	Ⓓ	Ⓔ
City 46 - 1200 - DB	1200	460	300	240	-
City 46 - 1400 - DB	1400	460	350	240	-
Riva Classic - 1200 - DB	1200	460	300	240	-
Riva Classic - 1500 - DB	1500	460	375	240	-



INDICATES TOP SURFACE -----

IMPORTANT NOTE: Throughout this guide, dimensions may vary by ± 2 mm. Please read the installation manual for detailed information on installing the product. St. Michel pursues a policy of continuing improvement in design and manufacturing of its products. The right is therefore reserved to vary specifications without notice. For full installation instructions visit stmichel.co.nz.

Date edited: 09 / 02 / 2021