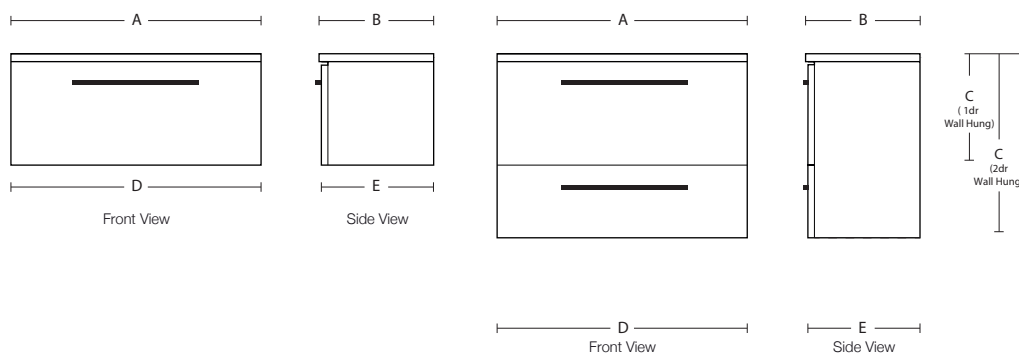


Cabinet Specification



Dawn					
Description	A	B	C	D	E
<input type="checkbox"/> Dawn Wall 900L 1dr	920	470	470	894	455
<input type="checkbox"/> Dawn Wall 900L 2dr	920	470	720	894	455
<input type="checkbox"/> Dawn Wall 900R 1dr	920	470	470	894	455
<input type="checkbox"/> Dawn Wall 900R 2dr	920	470 <td 720	894	455	
<input type="checkbox"/> Dawn Wall 1200 1d 1dr	1210	470	470	1194	455
<input type="checkbox"/> Dawn Wall 1200 1d 2dr	1210	470	720	1194	455
<input type="checkbox"/> Dawn Wall 1200DB 2d 1dr	1210	470	470	1194	455
<input type="checkbox"/> Dawn Wall 1200DB 2d 2dr	1210	470	720	1194	455



Revised: 03/2021

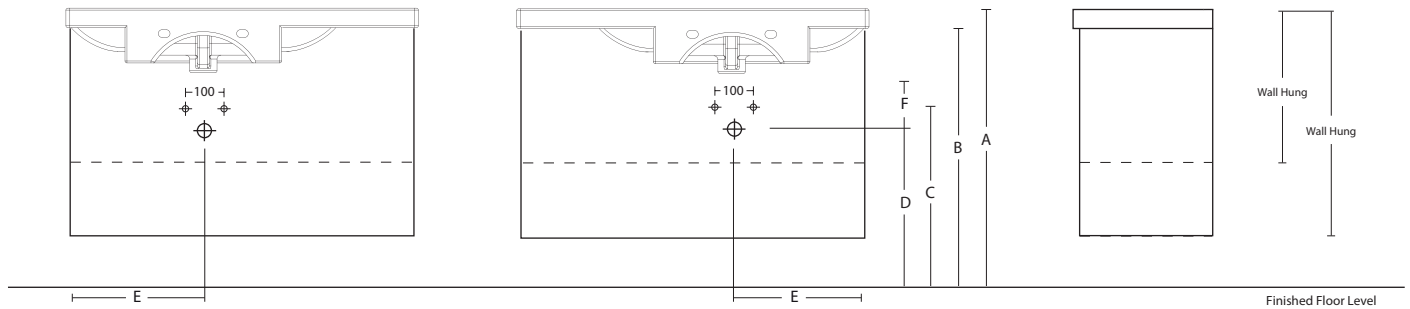
St Michel Industries Ltd, PO Box 21 122, Henderson, Auckland | Phone: 09 837 4276 | www.stmichel.co.nz

Plumbing Positions

PLEASE NOTE: With wall hung vanities, we suggest you adjust the measurements to suit your individual height preference

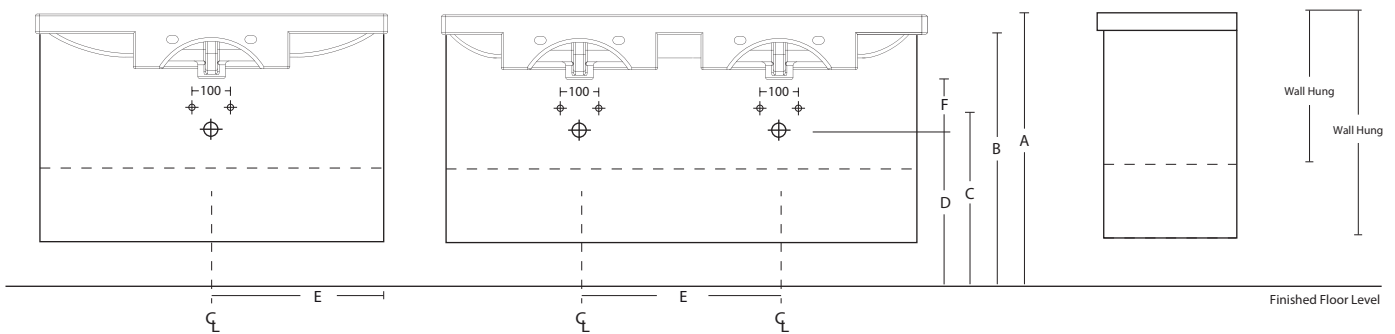
Dawn 900 Left

Dawn 900 Right



Dawn 1200 Single

Dawn 1200 Double



Description	Basin Size	Basin Type	A (Basin Top)	B (Cabinet Height)	C	D	E	F
ML	Single 900 Left & Right	ML - Ceramic	850	800	615	560	345	110
ML	Single 1200	ML - Ceramic	850	800	608	553	CL Basin	110
ML	Double 1200	ML - Ceramic	850	800	630	575	500	110

Standard Supply		If you increase or decrease height of basin (i.e. dimension A) then C + D dimensions must be amended accordingly.
Tap Hole	1	F measurement is boottom of basin outlet to centre of wall waste pipe - if another waste trap is used, you will have to confirm F measurement suits or adjust accordingly.
Colour	White	
Integral Overflow	YES	NOTE: Waste outlet positioned for standard chrome bottletrap and pop-up basin waste.