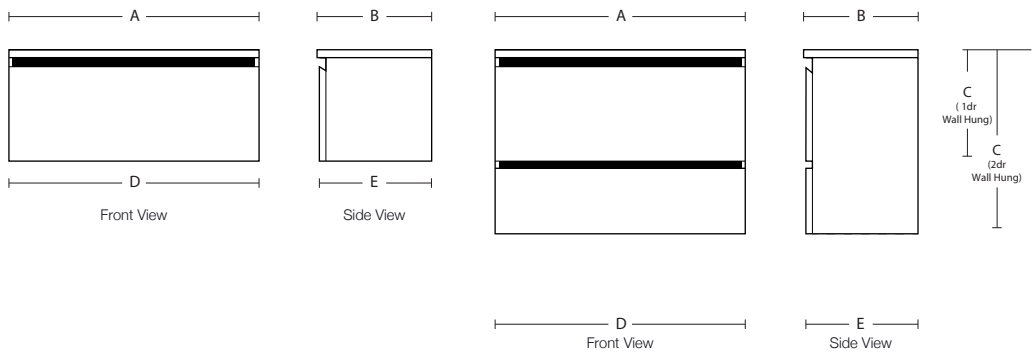


Cabinet Specification



Dusk					
Description	A	B	C	D	E
<input type="checkbox"/> Dusk Wall 900L 1dr	920	470	470	894	455
<input type="checkbox"/> Dusk Wall 900L 2dr	920	470	720	894	455
<input type="checkbox"/> Dusk Wall 900R 1dr	920	470	470	894	455
<input type="checkbox"/> Dusk Wall 900R 2dr	920	470	720	894	455
<input type="checkbox"/> Dusk Wall 1200 1d 1dr	1210	470	470	1194	455
<input type="checkbox"/> Dusk Wall 1200 1d 2dr	1210	470	720	1194	455
<input type="checkbox"/> Dusk Wall 1200DB 2d 1dr	1210	470	470	1194	455
<input type="checkbox"/> Dusk Wall 1200DB 2d 2dr	1210	470	720	1194	455



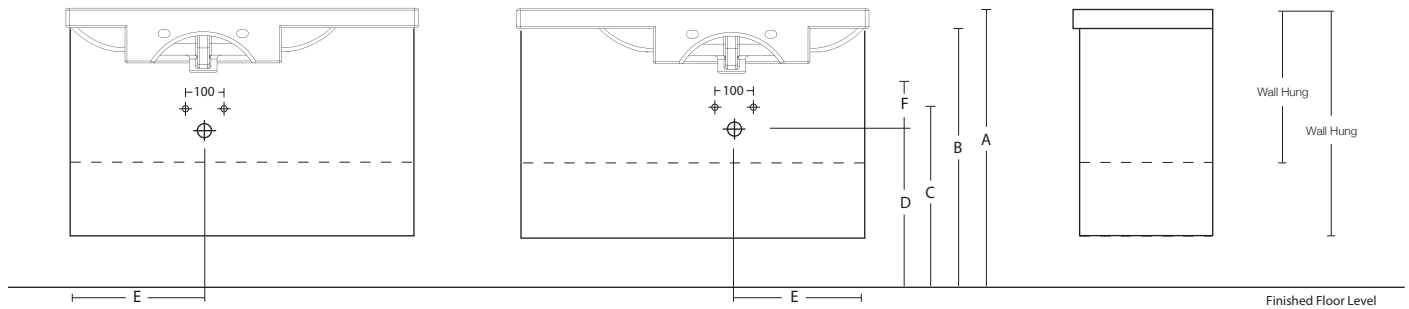
Revised: 03/2021

Plumbing Positions

PLEASE NOTE: With wall hung vanities, we suggest you adjust the measurements to suit your individual height preference

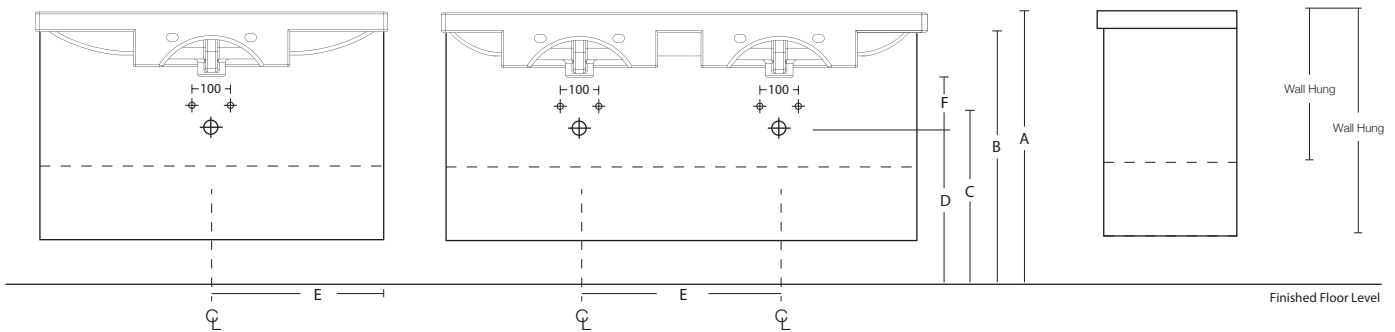
Dusk 900 Left

Dusk 900 Right



Dusk 1200 Single

Dusk 1200 Double



Description	Basin Size	Basin Type	A (Basin Top)	B (Cabinet Height)	C	D	E	F
ML	Single 900 Left & Right	ML - Ceramic	850	800	615	560	345	110
ML	Single 1200	ML - Ceramic	850	800	608	553	CL Basin	110
ML	Double 1200	ML - Ceramic	850	800	630	575	500	110

Standard Supply		<p>If you increase or decrease height of basin (i.e. dimension A) then C + D dimensions must be amended accordingly.</p> <p>F measurement is boottom of basin outlet to centre of wall waste pipe - if another waste trap is used, you will have to confirm F measurement suits or adjust accordingly.</p> <p>NOTE: Waste outlet positioned for standard chrome bottletrap and pop-up basin waste.</p>
Tap Hole	1	
Colour	White	
Integral Overflow	YES	

Revised: 06/2016

St Michel Industries Ltd, PO Box 21 122, Henderson, Auckland | Phone: 09 837 4276 | www.stmichel.co.nz