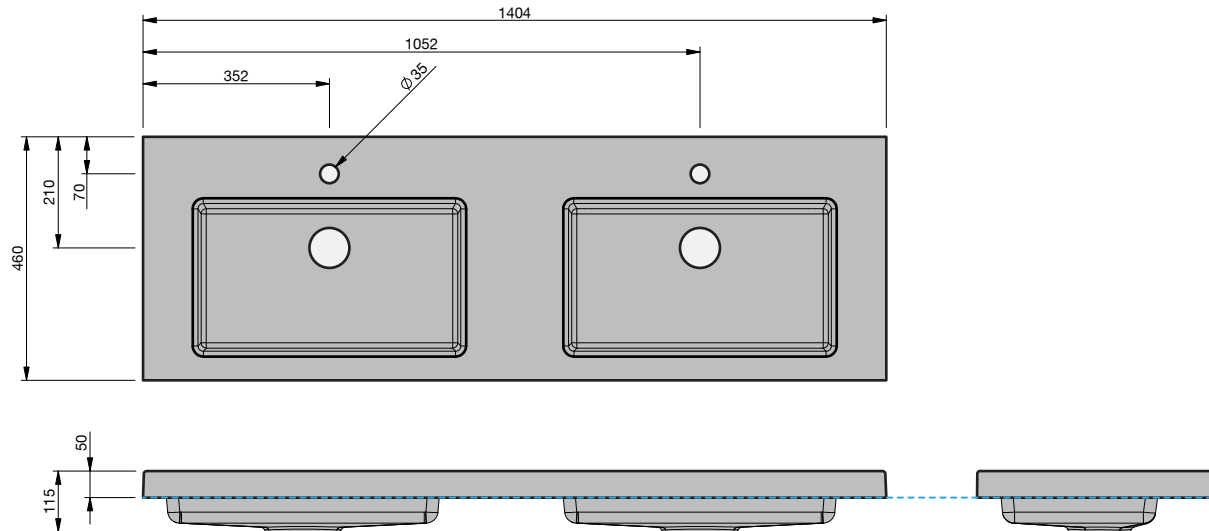
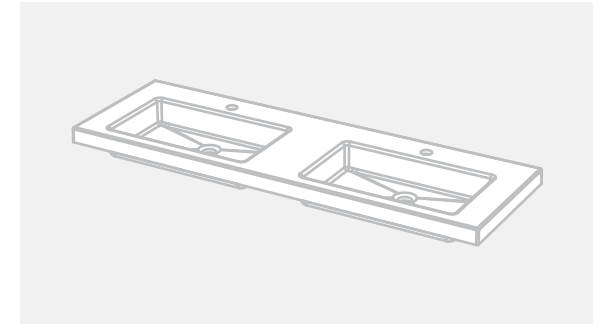


**BASIN SPECIFICATION**  
**Sussy - 1400 - Double**



**Cabinet range** (refer to applicable cabinet data sheet)



**CITY 46**

**Product Features**

Type of basin	Console Basin
Material of basin	Mineral Cast
Capacity of basin	11 litre
Overflow Configuration	Overflow not provided
Colour options	White Gloss

- The basin must be sealed to the top with an acetic cured silicone sealant.
- Epoxy type sealants must not be used.

INDICATES TOP SURFACE -----

**IMPORTANT NOTE:** Throughout this guide, dimensions may vary by  $\pm 2$ mm. Please read the installation manual for detailed information on installing the product. St. Michel pursues a policy of continuing improvement in design and manufacturing of its products. The right is therefore reserved to vary specifications without notice. For full installation instructions visit [stmichel.co.nz](http://stmichel.co.nz).

**Date edited:**

7 / 08 / 2019

01 / 01