

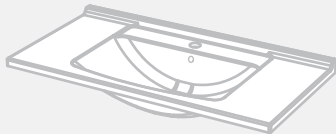
Palo 900

BASIN SPECIFICATION



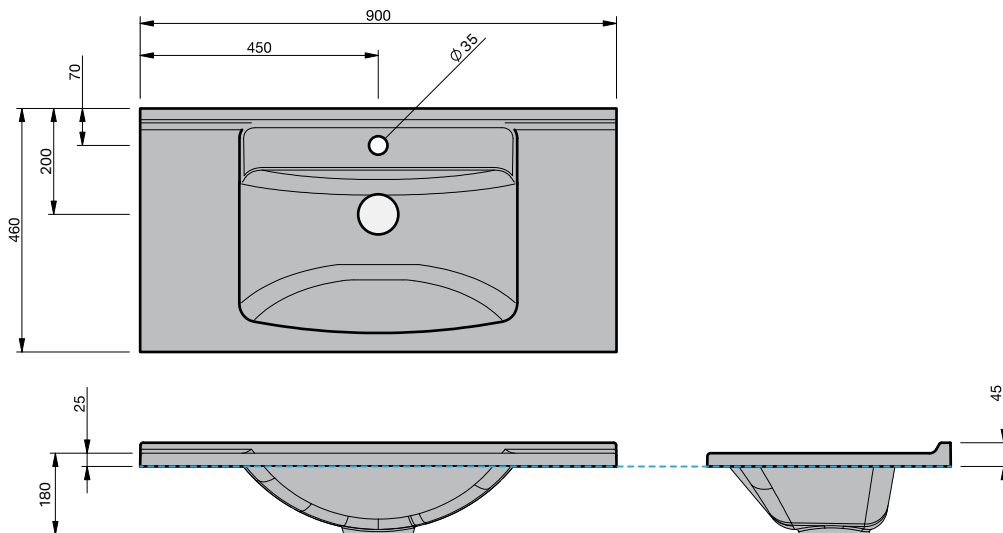
Product Features

Product Code	5311
Type of basin	Console
Material of basin	Mineral Cast
Capacity of basin	6 litre
Overflow Configuration	Overflow supplied Max tap flow rate of 15 ltrs / minute
Colour options	White Gloss



- The basin must be sealed to the top with an acetic cured silicone sealant.
- Epoxy type sealants must not be used.

INDICATES TOP SURFACE -----



IMPORTANT NOTE: Throughout this guide, dimensions may vary by ± 5 mm. Please read the installation manual for detailed information on installing the product. St. Michel pursues a policy of continuing improvement in design and manufacturing of its products. The right is therefore reserved to vary specifications without notice.

st.michel
BATHROOMWARE

phone (09) 837 4276 email info@stmichel.co.nz stmichel.co.nz