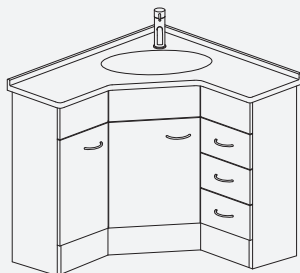


# Corners

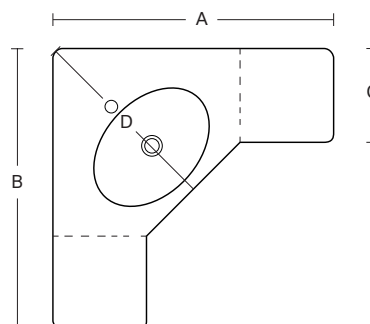
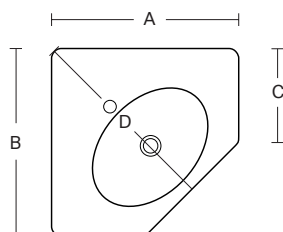
## BASIN SPECIFICATION



### Product Features

Type of basin	Console
Material of basin	Mineral Cast
Standard Tap Size	35mm
Standard Waste Size	32mm
Basin Depth	100mm
Overflow Configuration	Overflow supplied Max tap flow rate of 15 ltrs / minute
Colour options	White Gloss

- The basin must be sealed to the top with an acetic cured silicone sealant.
- Epoxy type sealants must not be used.



Corners	A	B	C	D
Corner 600 x 600	600	600	320	650
Corner 600 x 900	600	900	320	650
Corner 900 x 600	900	600	320	650
Corner 900 x 900	900	900	320	650

Taphole position: 50mm  $\varnothing$  to edge of basin. All Sizes.

**IMPORTANT NOTE:** Throughout this guide, dimensions may vary by  $\pm 5$ mm. Please read the installation manual for detailed information on installing the product. St. Michel pursues a policy of continuing improvement in design and manufacturing of its products. The right is therefore reserved to vary specifications without notice.

**st.michel**  
BATHROOMWARE

phone (09) 837 4276 email [info@stmichel.co.nz](mailto:info@stmichel.co.nz) [stmichel.co.nz](http://stmichel.co.nz)