

Stella Pure

PLUMBING POSITIONS



Product Features

Product Description	Stella Pure
Tap Hole	1
Basin Types	Palo, Premo
Basin Material	Mineral Cast
Integral Overflow	Yes

Notes:

Drawings depict cabinet with console.

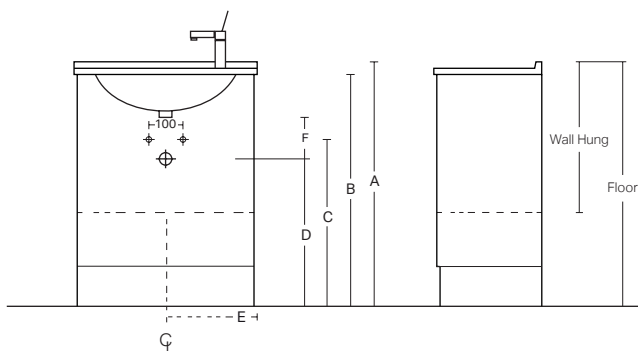
It is important to decide on what height you want your finished top surface from the floor, this will determine where your plumbing will be positioned.

We suggest that you install your wall hung vanity between 830-950mm high to the finished top surface.

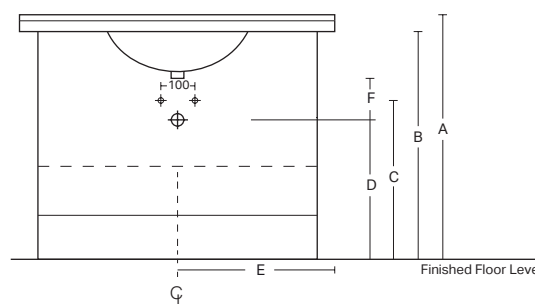
Waste outlet positioned for standard trap and pop up basin waste.

Stella Pure 750 Wall 1D 3Dr pictured.

Stella Pure 500



Stella Pure 600, 750, 900, 1200



Description	Basin Size	Basin Type	A (Basin Top)	B (Cabinet Height)	C	D	E	F
Stella Pure	Single 500	Mineral Cast Premo	870	800	625	550	⌀	110
Stella Pure	Single 600, 750, 900, 1200	Mineral Cast Palo	845	800	605	535	⌀	110

If you increase or decrease height of basin (i.e. dimension A) then C + D dimensions must be amended accordingly. F measurement is bottom of basin outlet to centre of wall waste pipe - if another waste trap is used, you will have to confirm F measurement suits or adjust accordingly.

IMPORTANT NOTE: Throughout this guide, dimensions may vary by ± 2 mm. Please read the installation manual for detailed information on installing the product. St. Michel pursues a policy of continuing improvement in design and manufacturing of its products. The right is therefore reserved to vary specifications without notice.

st.michel
BATHROOMWARE

phone (09) 837 4276 email info@stmichel.co.nz stmichel.co.nz