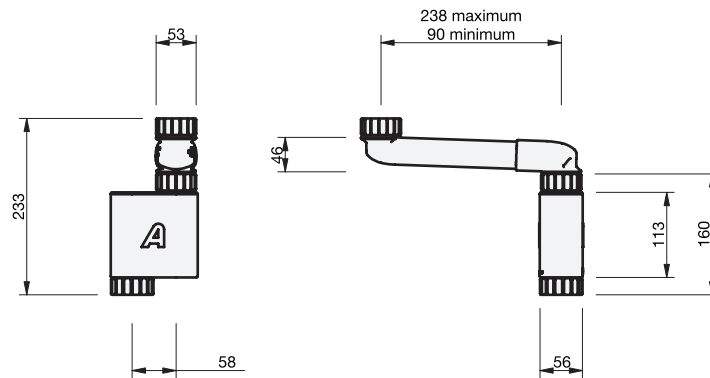
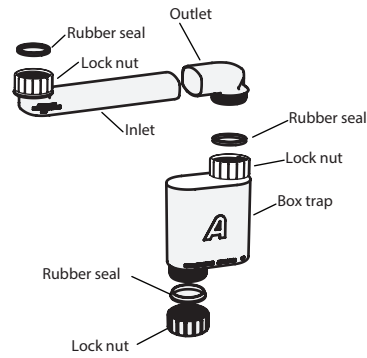
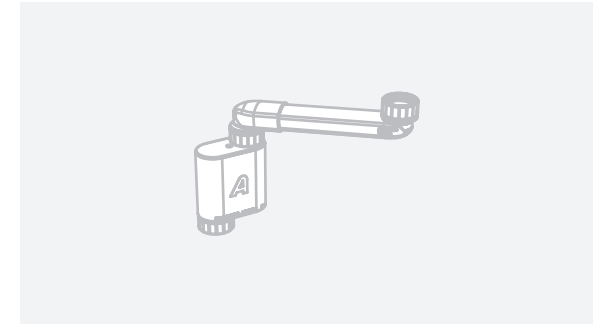


HARDWARE SPECIFICATION
Compact Box Trap & Space Saver Kit



Cabinet range (refer to applicable cabinet range)



CITY 50

- How many basins are you plumbing for? Check with client.
- What will the basin position be on benchtop? Check preferred location with client. Consider wall or benchtop mounted taps & remind client that plumbing must clear furniture partitions (refer to applicable cabinet specifications).
- Waste outlet must be in recommended "Plumbing Zone" suitable for Boxtrap & Space Saver Kit supplied with vanity. See applicable cabinet specifications for details.

IMPORTANT NOTE: Throughout this guide, dimensions may vary by ± 2 mm. Please read the installation manual for detailed information on installing the product. St. Michel pursues a policy of continuing improvement in design and manufacturing of its products. The right is therefore reserved to vary specifications without notice. For full installation instructions visit stmichel.co.nz.

DATE EDITED:

16 / 05 / 2023