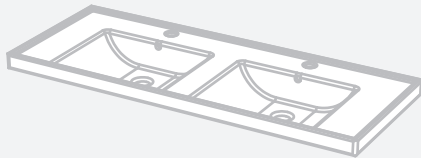


# ML Shelf 1200 DB

## BASIN SPECIFICATION

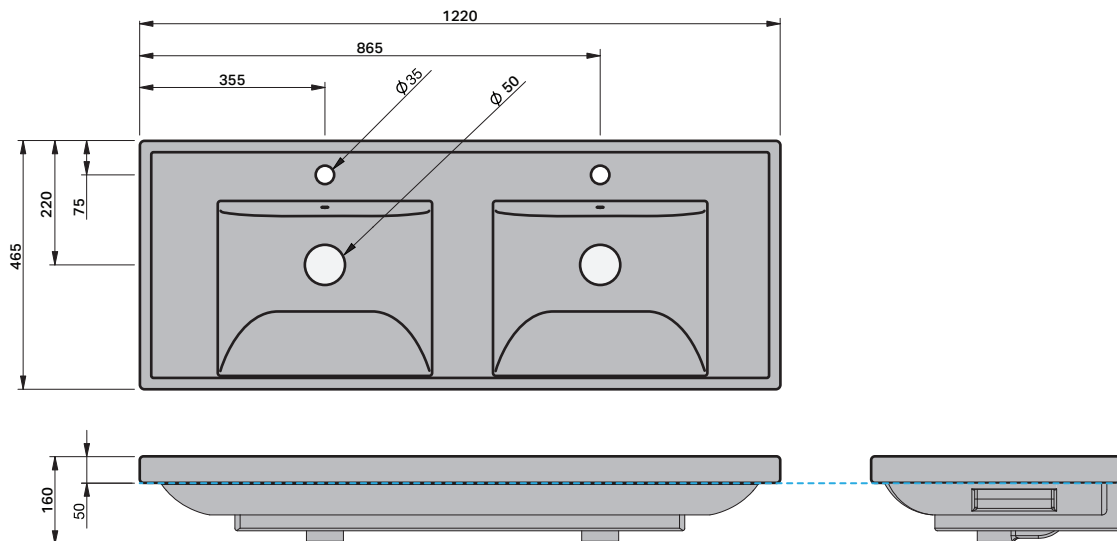


### Product Features

|                        |                   |
|------------------------|-------------------|
| Product Code           | 2312              |
| Type of basin          | Console           |
| Material of basin      | Ceramic           |
| Capacity of basin      | 2 x (4.0 litre)   |
| Overflow Configuration | Overflow supplied |
| Colour options         | White Gloss       |
| Standard Tap Size      | 35mm              |
| Standard Waste Size    | 32mm              |
| Basin Depth            | 100mm             |

- Can be wall hung.
- The basin must be sealed to the top with an acetic cured silicone sealant.
- Epoxy type sealants must not be used.

INDICATES TOP SURFACE -----



**IMPORTANT NOTE:** Throughout this guide, dimensions may vary by  $\pm 5$ mm. Please read the installation manual for detailed information on installing the product. St. Michel pursues a policy of continuing improvement in design and manufacturing of its products. The right is therefore reserved to vary specifications without notice.

**st.michel**  
BATHROOMWARE

phone (09) 837 4276 email [info@stmichel.co.nz](mailto:info@stmichel.co.nz) [stmichel.co.nz](http://stmichel.co.nz)