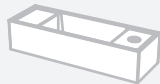


## BASIN SPECIFICATION



### Product Features

Product Code	Gloss White Duraform / 2112 Matte White Cherry Pie® / 2110
Type of basin	Console
Material of basin	Duraform Cherry Pie®
Capacity of basin	1.3 litre
Overflow Configuration	Overflow supplied Max tap flow rate 9 litres / minute

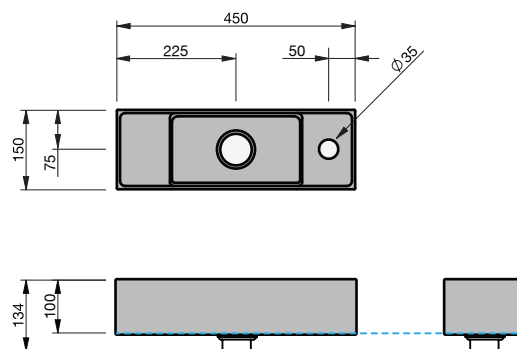
### Notes:

- This basin is reversible.
- The basin must be sealed to the top with an acetic cured silicone sealant.
- Epoxy type sealants must not be used.

Cabinet range (refer to applicable cabinet specifications)



INDICATES TOP SURFACE -----



**IMPORTANT NOTE:** Throughout this guide, dimensions may vary by  $\pm 2$ mm. Please read the installation manual for detailed information on installing the product. St. Michel pursues a policy of continuing improvement in design and manufacturing of its products. The right is therefore reserved to vary specifications without notice.